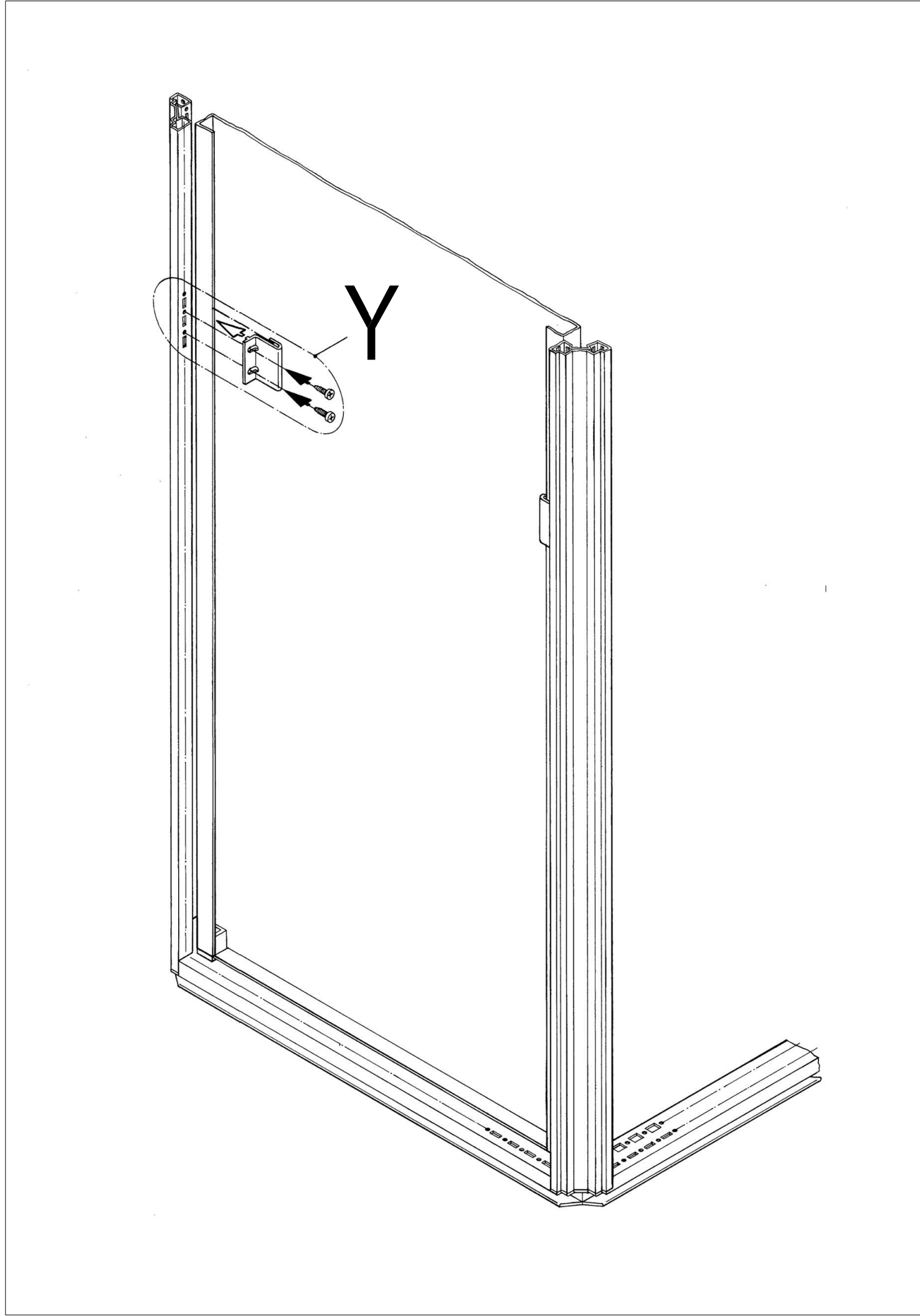
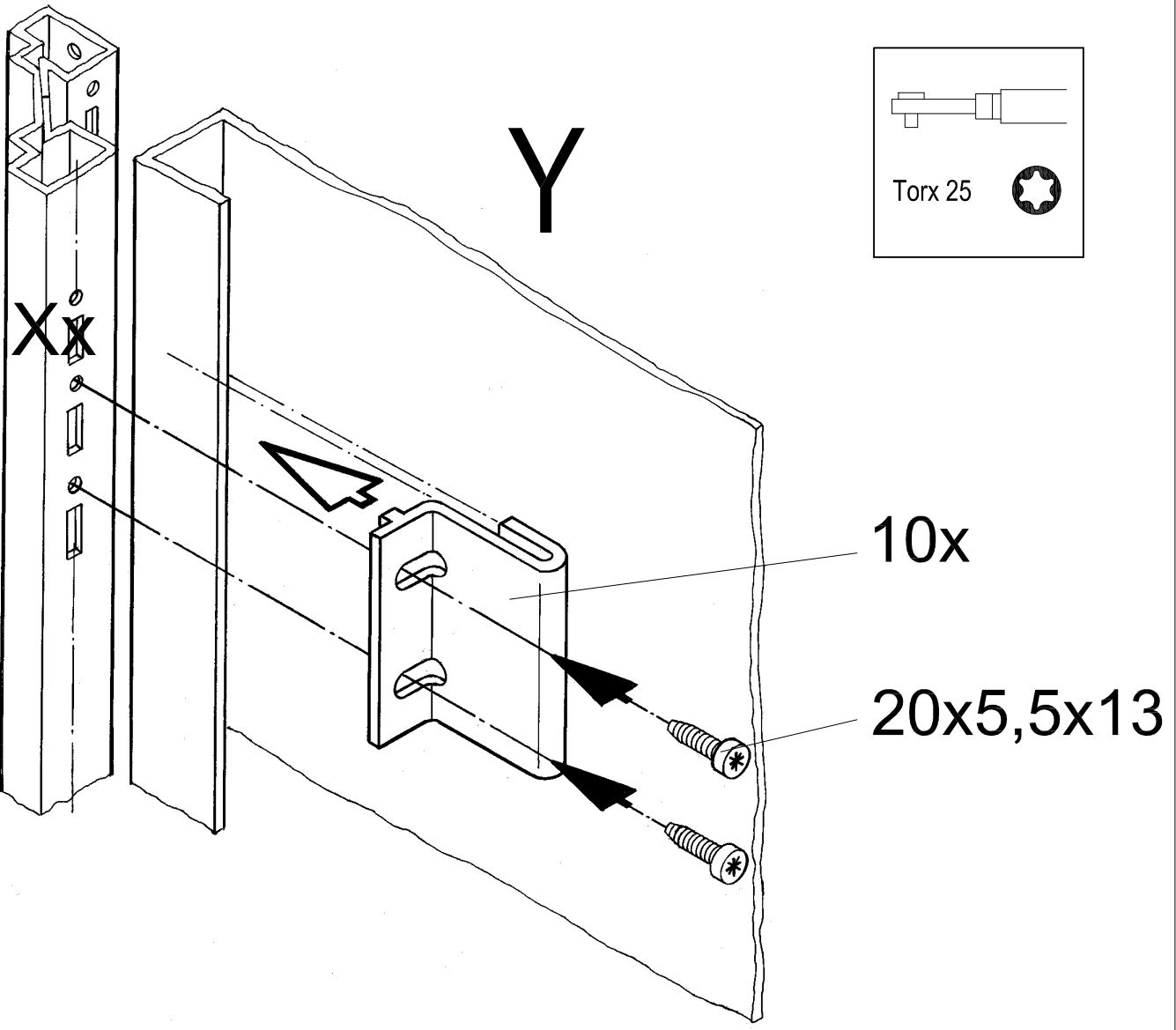




TS
8800.610

Raum für Verpackungsdatum
Area for date of packing
(MMJJTT / MMYDD)



Zchnng.-Nr. / No. of dwg. : A2804000TS
Versandbeutel-Nr. / No. of accessory bag : 286943

Lieferanten-Nr. / No. of supplier :