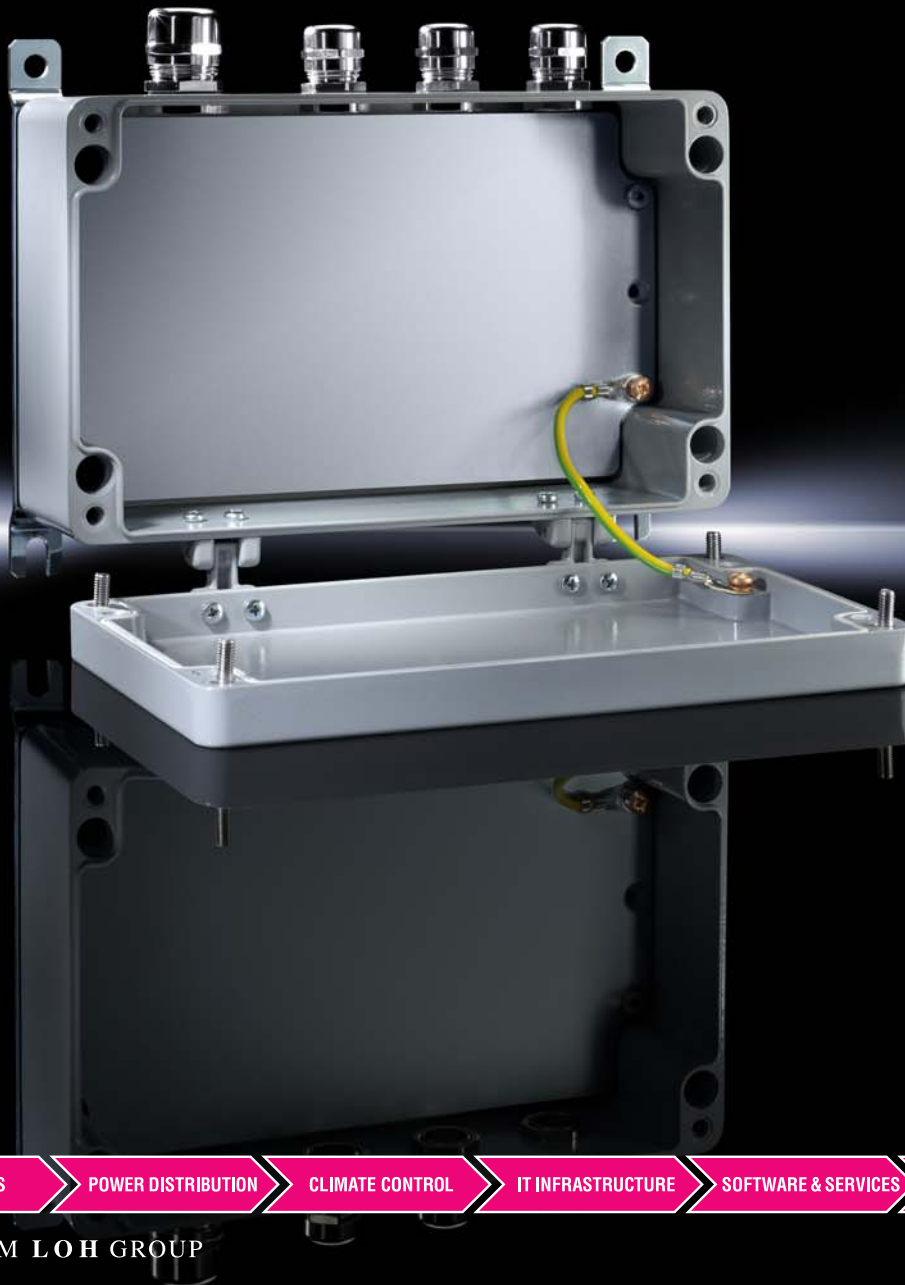


Rittal – The System.

Faster – better – everywhere.

► Technical System Catalogue Cast Aluminium Enclosures GA



ENCLOSURES

POWER DISTRIBUTION

CLIMATE CONTROL

IT INFRASTRUCTURE

SOFTWARE & SERVICES



FRIEDHELM LOH GROUP

Cast aluminium enclosures GA



Tough enough to take it all – there are practically no limits to the scope of applications for these especially robust cast aluminium enclosures. The high resilience of the material provides for reliable encapsulation of electrical, electronic and pneumatic components. Whether in industrial applications, environmental technology or traffic systems, whether in vehicle engineering or leisure facilities, Rittal cast aluminium enclosures define the standards for safe and secure packaging.

- 1** Especially robust cast aluminium housing for use in even the harshest environments
- 2** All-round seal for lasting protection up to IP 66/NEMA 4
- 3** Optimum corrosion protection through chromatisation and textured paint finish in RAL 7001
- 4** Simple wall mounting by way of dedicated fixtures or KL wall brackets
- 5** Punch marks in the enclosure facilitate the assembly of cover hinges with large dimensions
- 6** Four rust-proof captive screws provide for secure fastening of the cover
- 7** Simple interior installation with threaded holes ready to fix support rails or mounting plates
- 8** Wide range of dimensions, from 58 x 64 x 34 mm to 330 x 230 x 181 mm

Cast aluminium enclosures GA

Internationally recognised approvals and certifications

Rittal products boast a wealth of internationally recognised approvals and certifications and comply with the most exacting and globally recognised quality standards.

- All components are subjected to the most stringent testing in accordance with international standards and regulations
- The consistently high product quality is ensured by a comprehensive quality management system
- Regular production inspections by external test institutes guarantee compliance with global standards

All current approvals and certifications can be found on the Rittal website.



CAE and CAD data

Using the RiCAD 3D online CAD component library, Rittal offers engineering, climate control, IT and power solutions for the widest range of enclosures and applications from a single source.

With professional data for every CAD system, the efficiency of your system design is increased and assembly times are reduced.

- CAD data is also available as an app for reference on the move or from the Rittal website
- Data can be requested via e-mail
- Choose from over 70 CAD formats
- Direct link to the relevant page in the latest Rittal Catalogue for an "all-in-one" solution
- Optimum planning confidence through accurate and validated drawings
- By dispensing with the need for lengthy remodelling, time-savings are achieved

The **EPLAN Data Portal** gives you access to all the article data you need for integration into the Eplan Engineering Platform.

- Macro files with comprehensive product information, such as commercial data, 2D data, 3D models, drill hole patterns and accessory selection aids from the EPLAN Data Portal



Cast aluminium enclosures GA



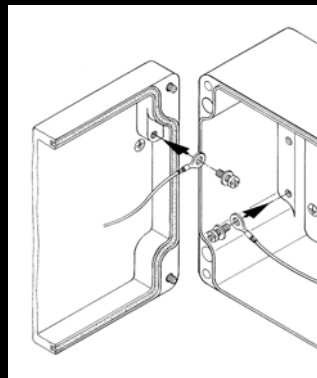
Reliable protection in harsh environments

- Extremely robust cast aluminium housing for use in harsh environments
- Perfectly protected surfaces through chromatisation and subsequent powder coating with textured paint in RAL 7001
- All-round foam-rubber cord seal for a high protection rating of IP 66/NEMA 4



Simple interior installation

- Threaded holes in the enclosure permit the fixing of support rails or mounting plates from the standard accessory range, for simple and fast configuration of the interior



Earthing

- PE connection points on both the cover and the enclosure itself
- Earth straps in various cross-sections and lengths available as accessories



Cover

- Secure fixing of the cover by way of four rust-proof captive screws
- Optional variant with cover hinges from the range of accessories

Accessories

Wall mounting

- Variable wall mounting possibilities, with GA wall mounting brackets, KL wall brackets in sheet steel or stainless steel, or direct fixing via a screw aperture outside the seal
- Matching wall mounting brackets do not impair the protection category of the enclosure
- Rear wall with dimension specifications for the drill holes to simplify installation



Hinges

- Die-cast aluminium cover hinges for convenient maintenance and population of the housing and cover
- VDE-conformant opening of the cover, as the hinges prevent possible catching of the earth strap
- The new punch marks in the enclosure and cover simplify mounting of the cover hinges



Accessories



Cable entry

- Wall thickness of the enclosure is sufficient for the use of cable glands without lock nut



Support rails and mounting plates

- Flexible interior installation with support rails and mounting plates from the standard range of Rittal accessories
- Threaded holes in the enclosure permit the fixing of support rails or mounting plates from the standard accessory range, for simple and fast configuration of the interior



Rittal – The System.

Faster – better – everywhere.

- Enclosures
- Power Distribution
- Climate Control
- IT Infrastructure
- Software & Services

You can find the contact details of all Rittal companies throughout the world here.



www.rittal.com/contact

ENCLOSURES

POWER DISTRIBUTION

CLIMATE CONTROL

IT INFRASTRUCTURE

SOFTWARE & SERVICES



FRIEDHELM LOH GROUP