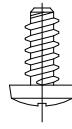




TE  
7888.640

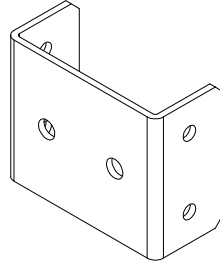
Raum für Verpackungsdatum  
Area for date of packing  
(MMJJTT / MMYDD)

16x

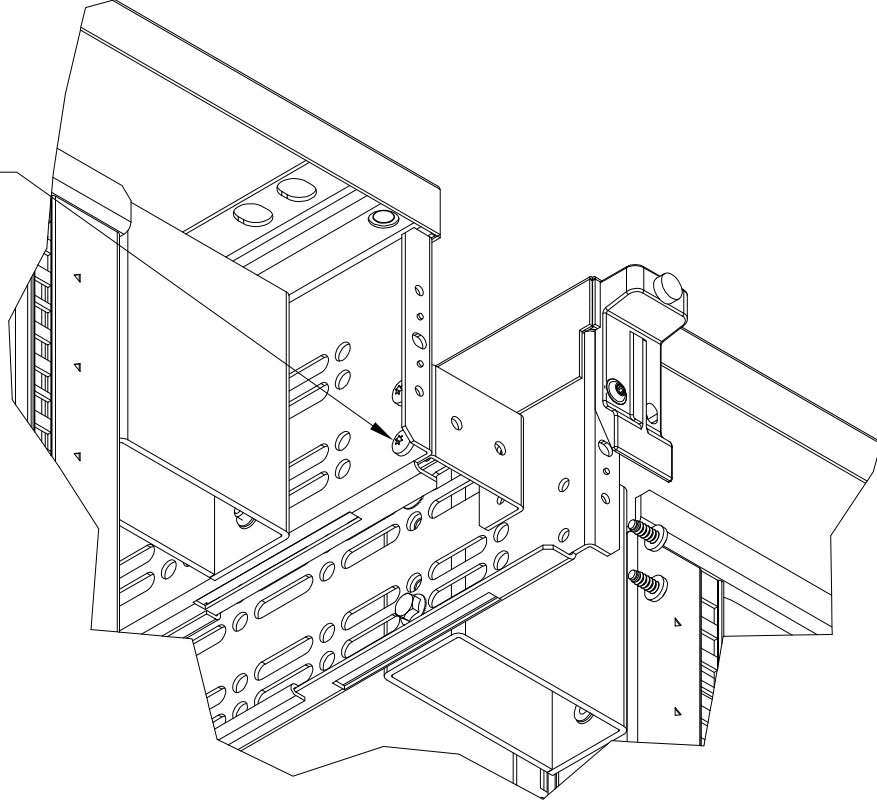


5,5x13

4x



5,5x13 MD=5Nm



Zchng.-Nr. / No. of dwg.: A06459600TEA3  
Versandbeutel-Nr. / No. of accessory bag :

Lieferanten-Nr. / No. of supplier :