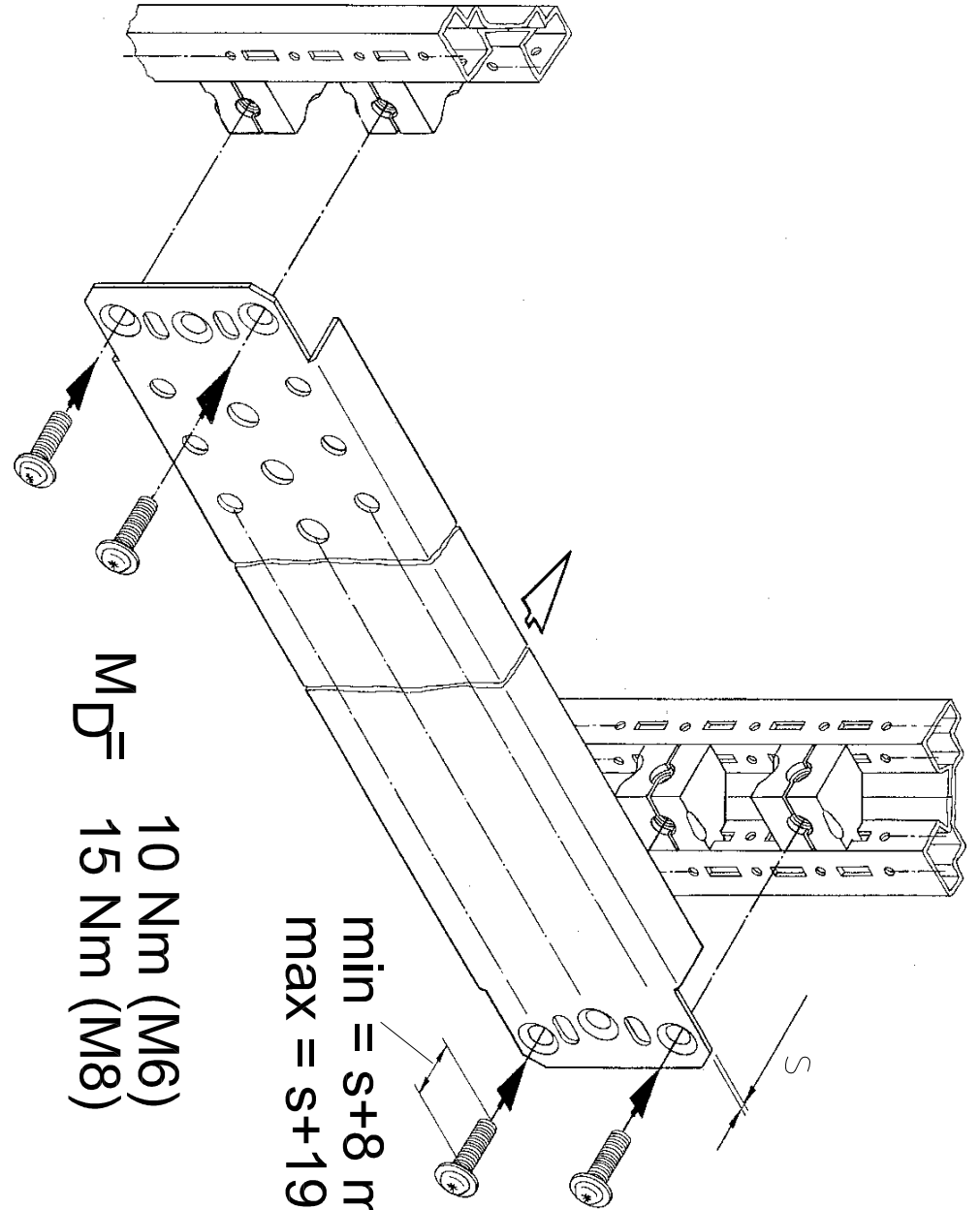
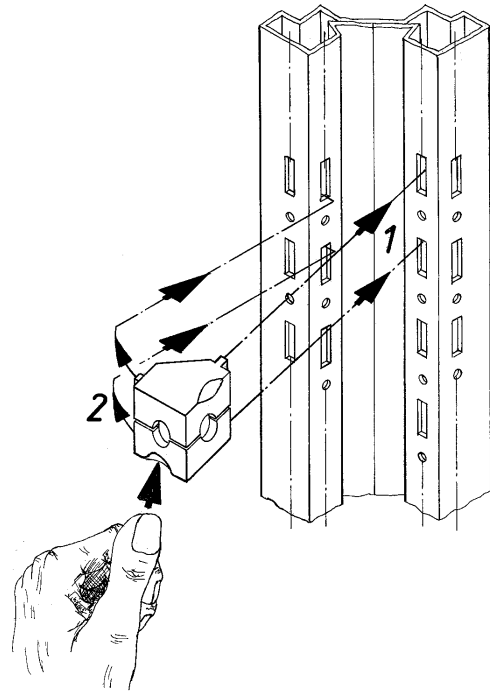
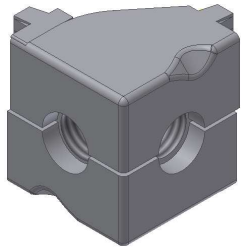




TS
8800.806
8800.808

Raum für Verpackungsdatum
Area for date of packing
(MMJJTT / MMYDD)

20x



Zchnng.-Nr. / No. of dwg. : A2988703TS
Versandbeutel-Nr. / No. of accessory bag :-

Lieferanten-Nr. / No. of supplier :