

# Rittal – The System.

Faster – better – everywhere.



**Schwenkrahmen, Schwerlastausführung**

**482.6 mm (19") swing frame, for heavy loads**

**Cadre pivotant 19" (482,6 mm), pour charges lourdes**

DK 7858.100

**Montageanleitung**  
**Assembly Instructions**  
**Notice de montage**

ENCLOSURES

POWER DISTRIBUTION

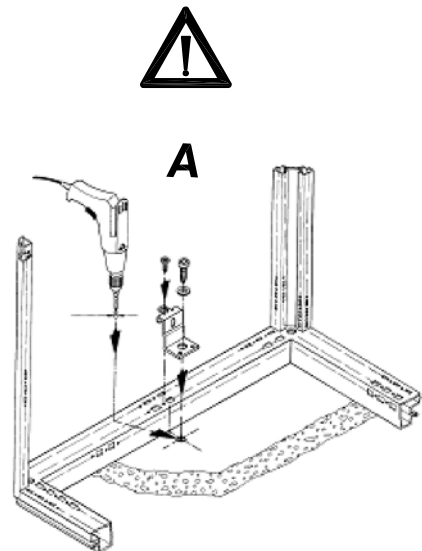
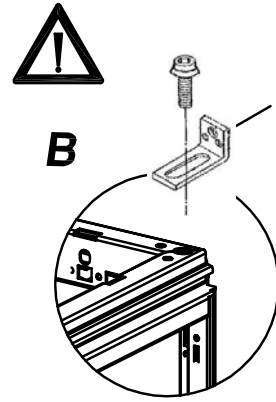
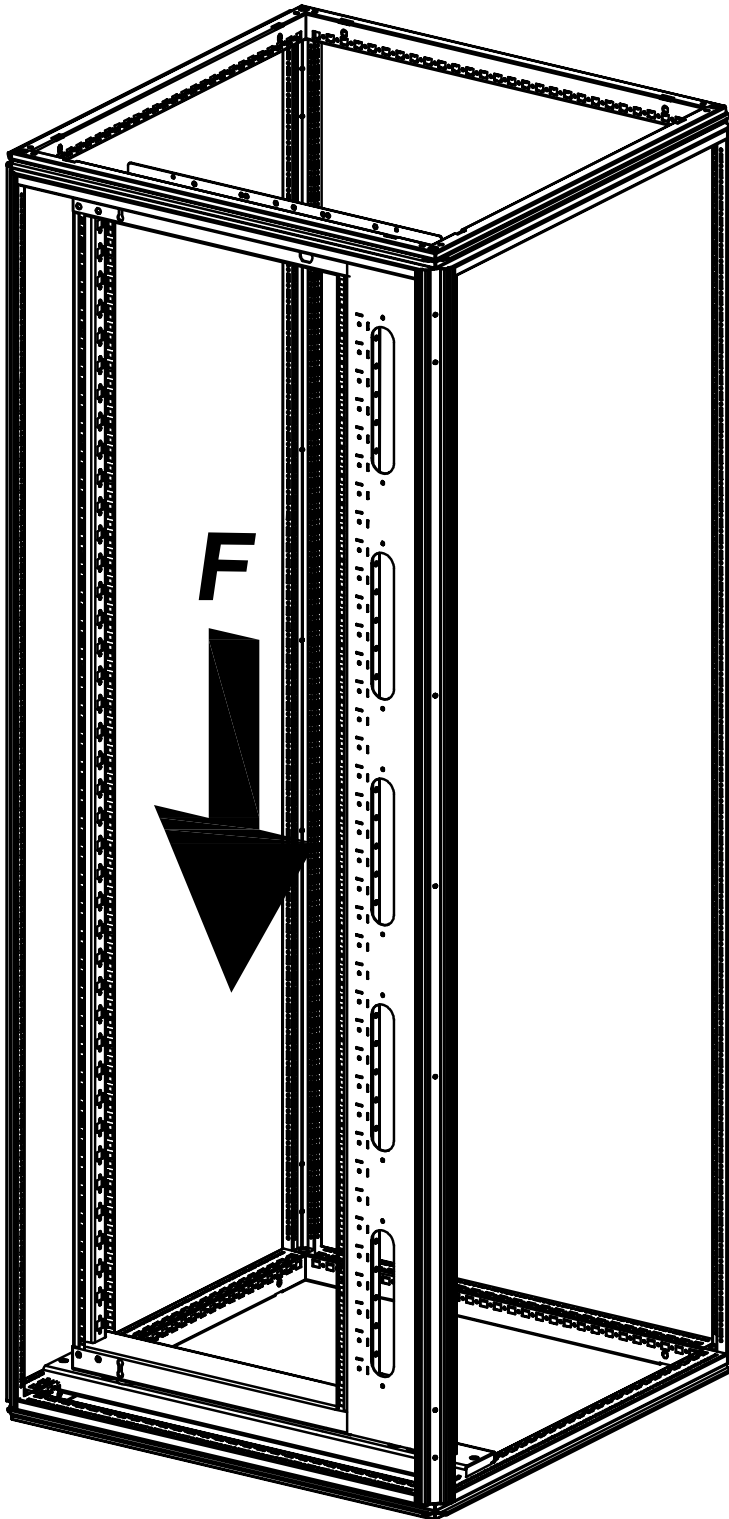
CLIMATE CONTROL

IT INFRASTRUCTURE

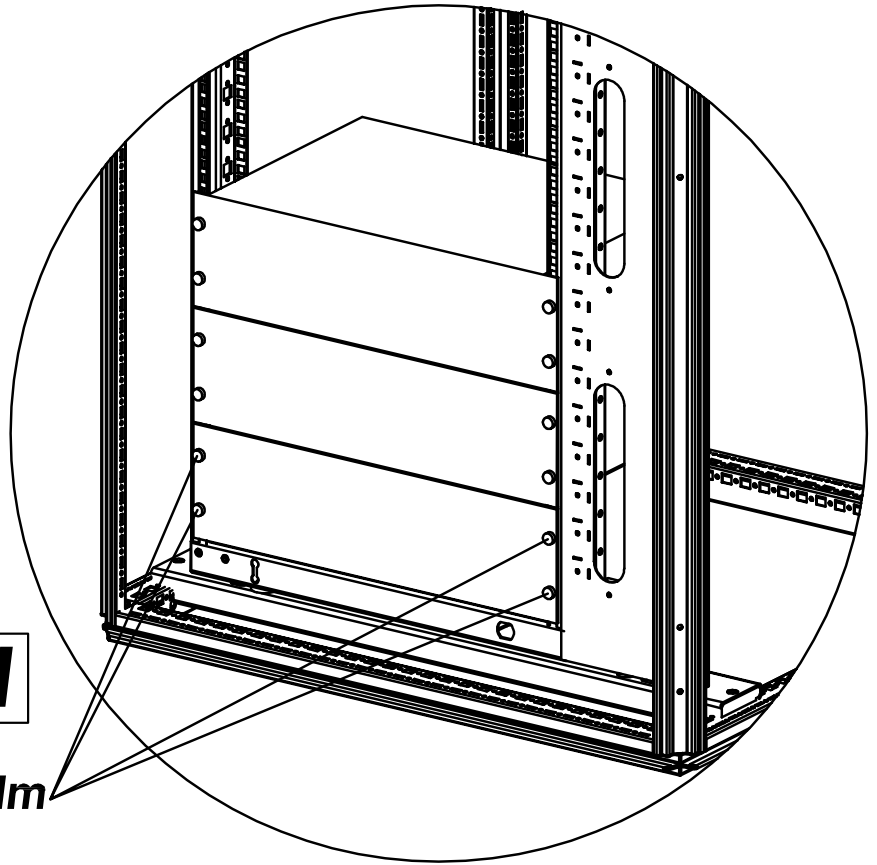
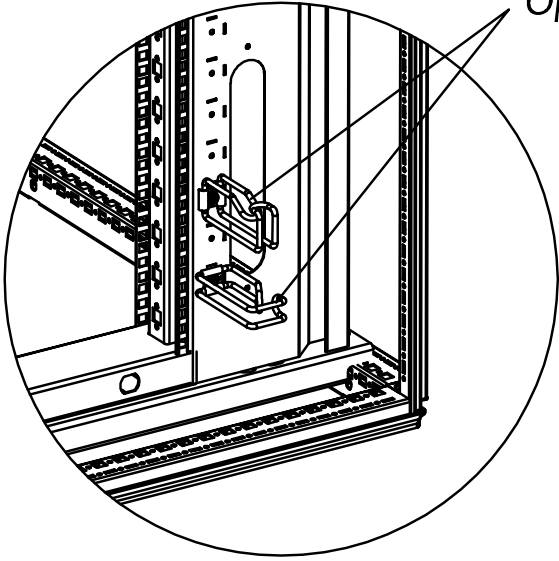
SOFTWARE & SERVICES

FRIEDHELM LOH GROUP





Opt. : DK 7111.000  
DK 7111.900  
DK 7112.000



**$F_{max} = 3500\text{ N}$**

**MIN. 4x M6x16 M<sub>D</sub> 5 Nm**

WARNHINWEIS:

WARNING:

NOTE D'AVERTISSEMENT :

Maximale Belastbarkeit = 350 kg / 770 lb.

Maximum load capacity = 350 kg / 770 lb.

Charge maximale admissible = 350 kg / 770 lb.

A) Der Schrank ist fest mit dem Boden zu verschrauben!  
(z.B. 8800.210 / 2817.000).

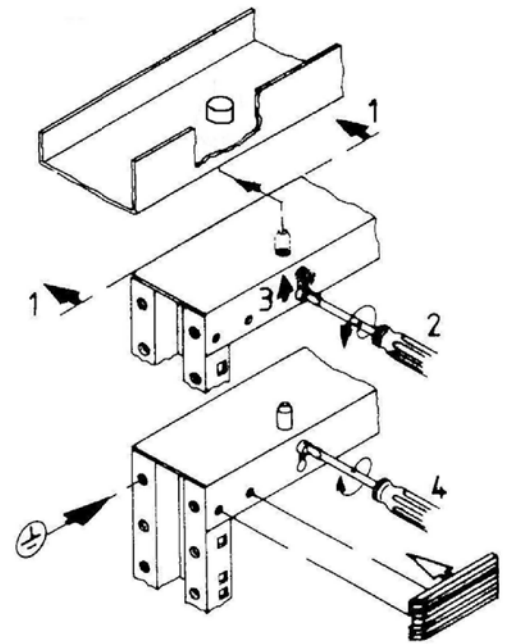
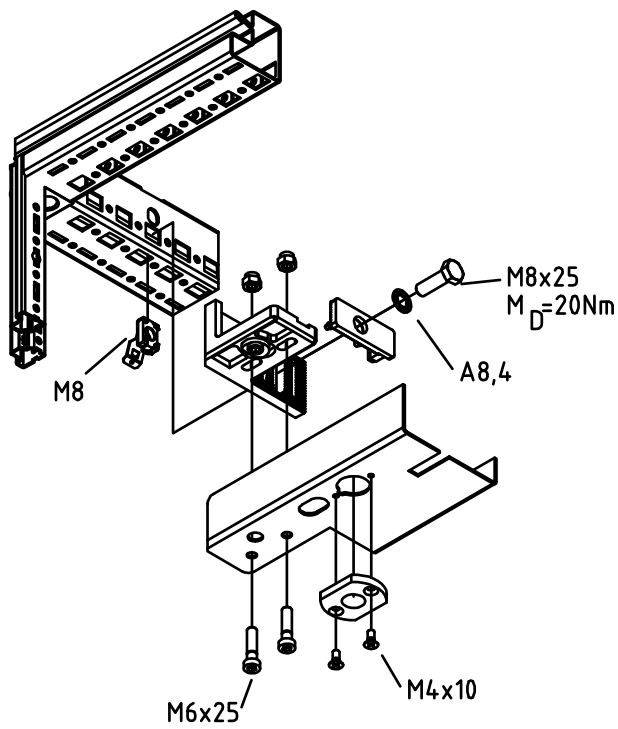
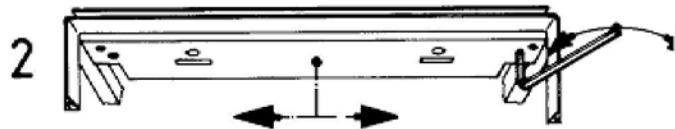
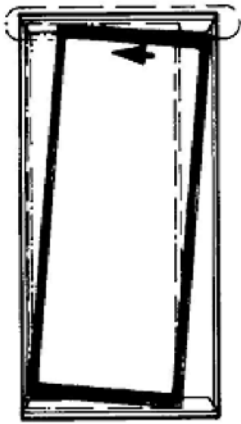
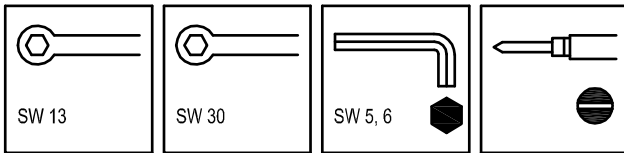
Fasten the enclosure securely on the base (e.g. Model No. 8800.210 / 2817.000).

Visser l'armoire solidement à la base (p.ex. Référence 8800.210 / 2817.000).

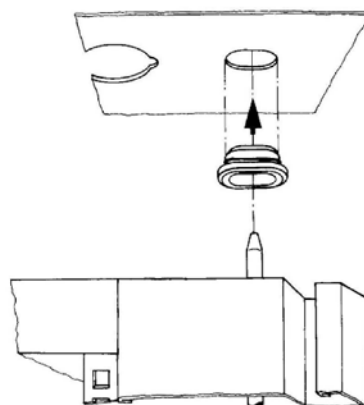
B) Zusätzlich muss eine stabile Wandverschraubung im Dachbereich  
vorgesehen werden (z.B. 4595.000).

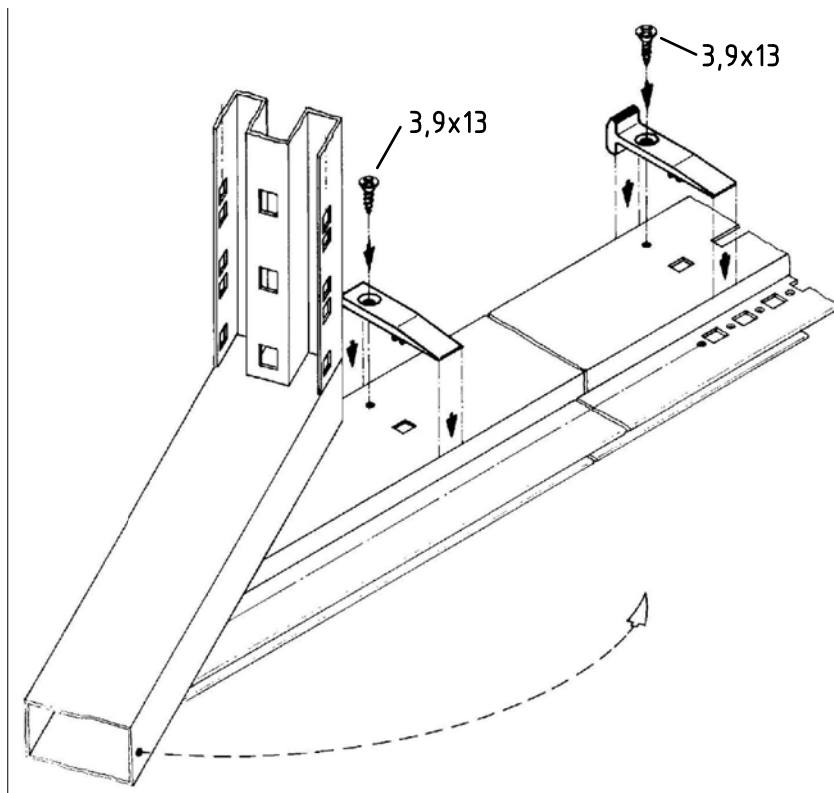
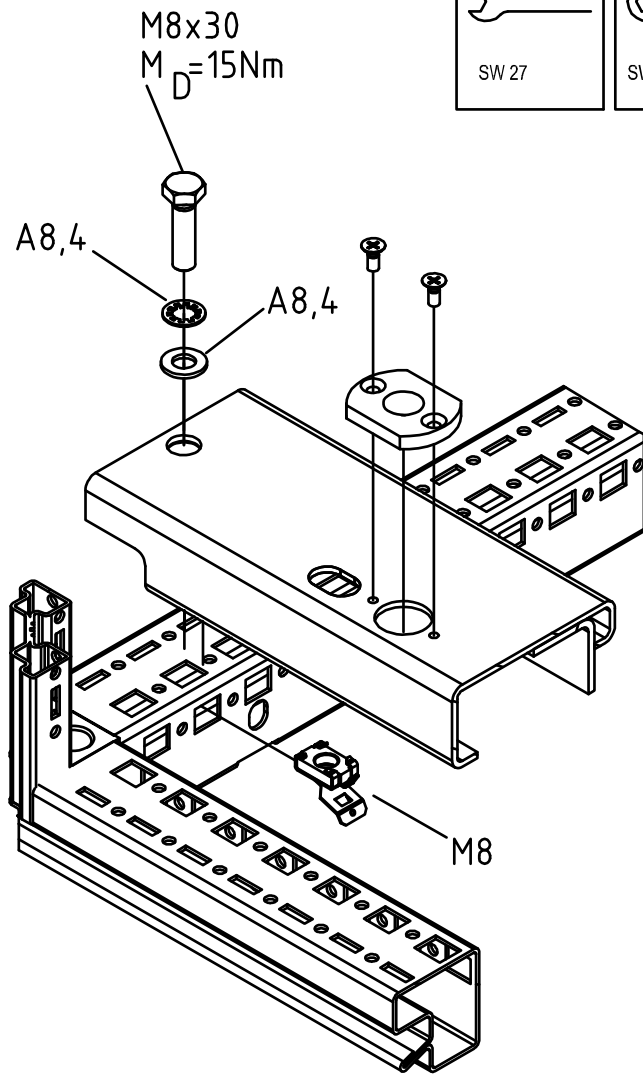
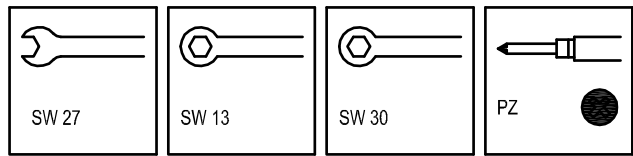
In addition to this, a robust screw-joint for the wall section must be added  
(e.g. Model No. 4595.000).

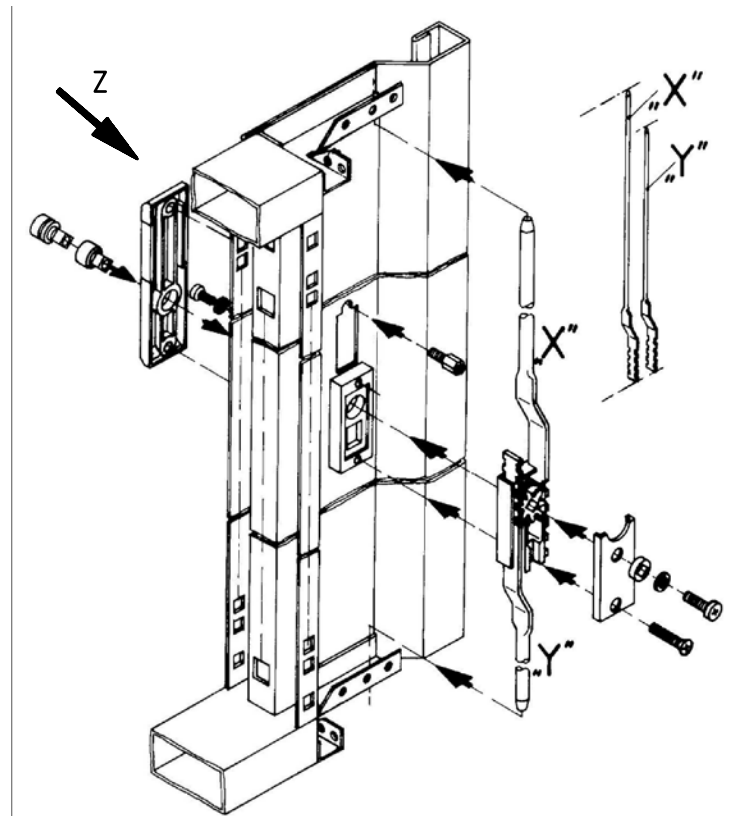
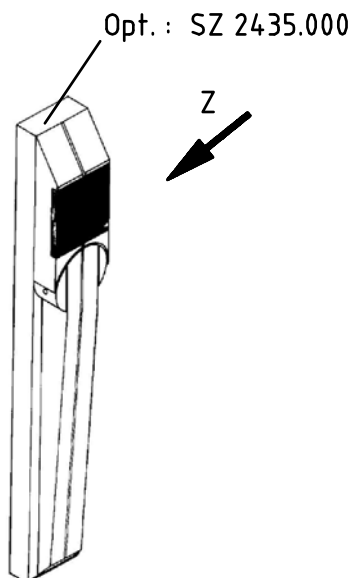
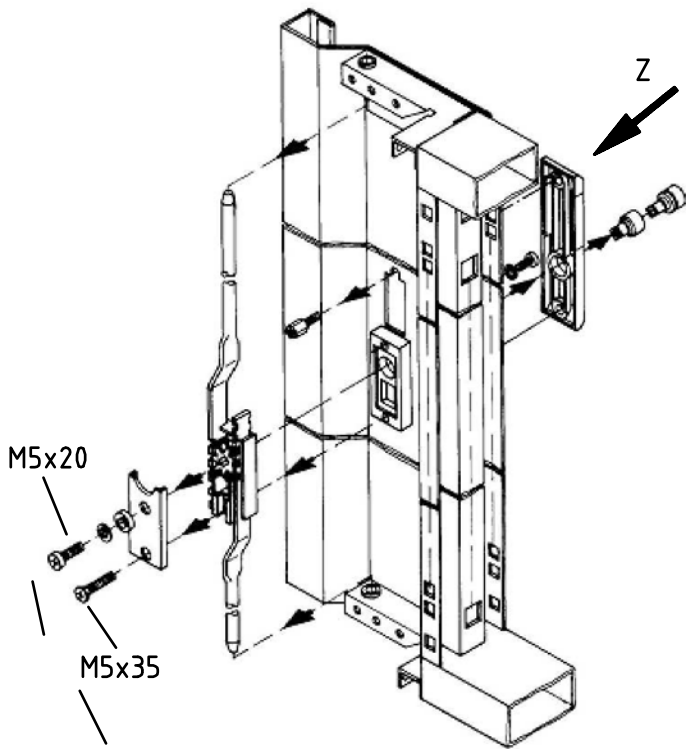
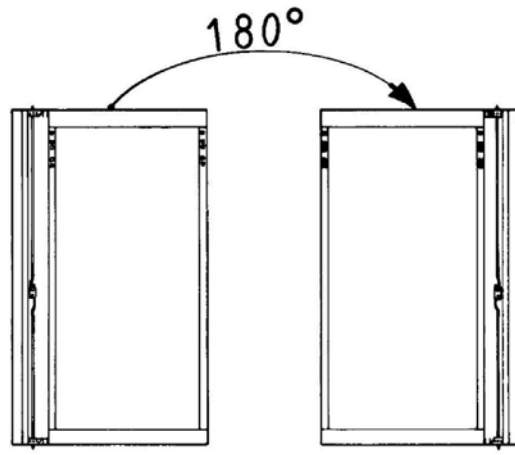
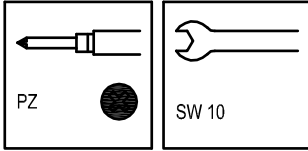
En plus, veuillez prévoir un vissage mural solide au niveau du toit  
(p.ex. Référence 4595.000).

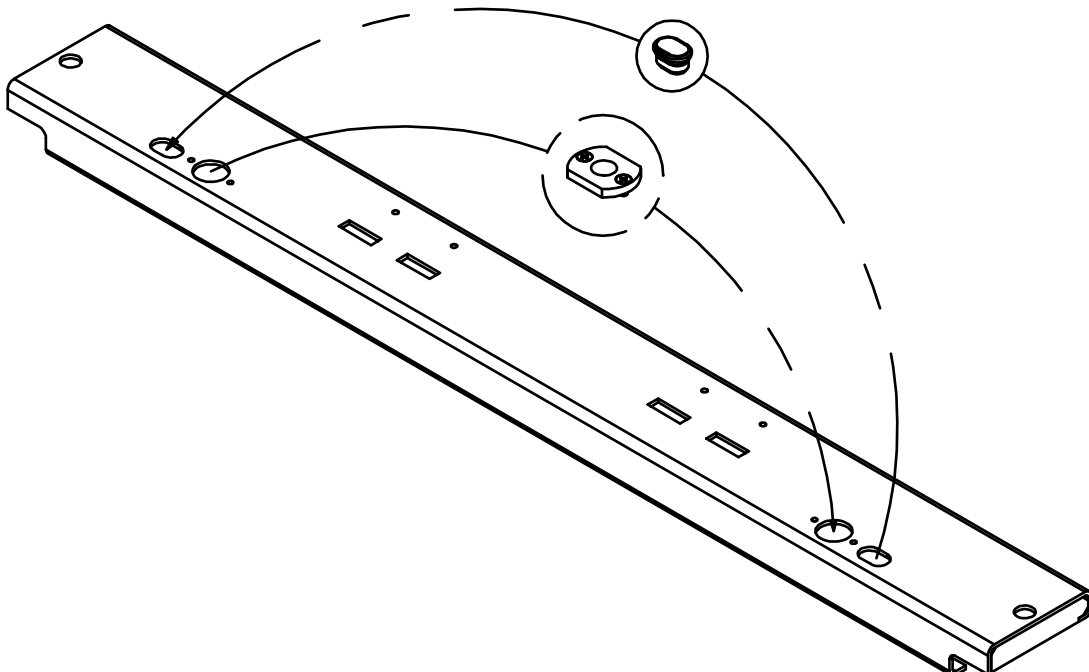
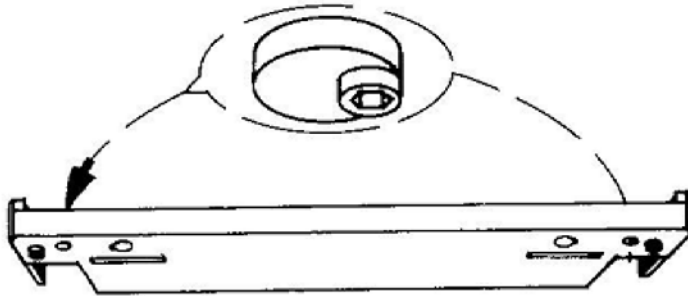
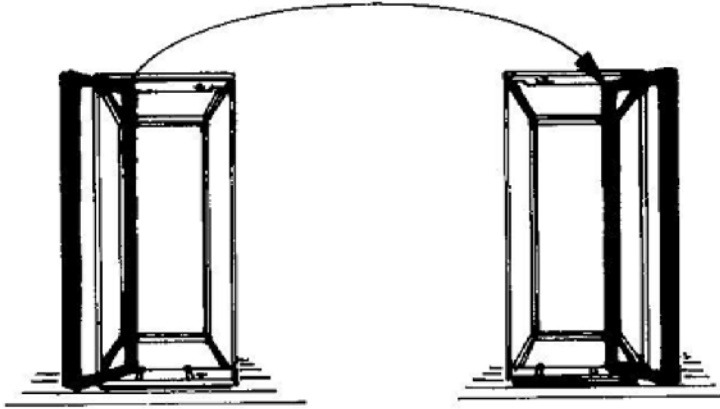
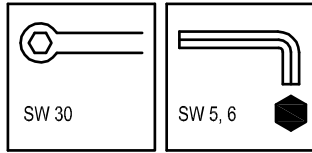


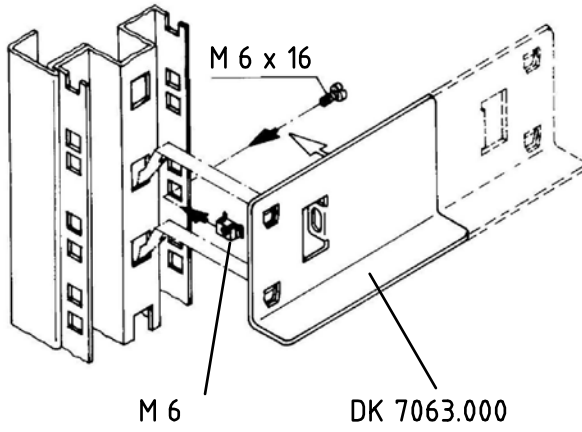
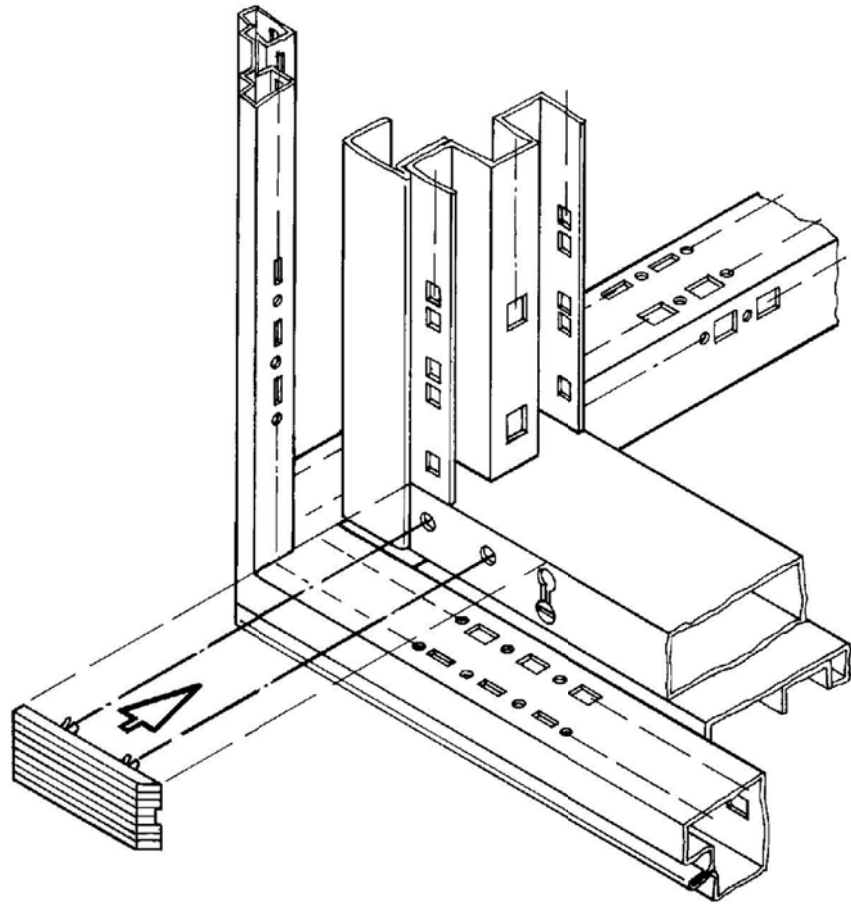
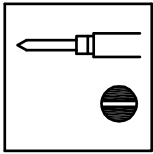
SZ 2567-2570



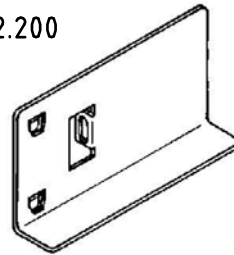




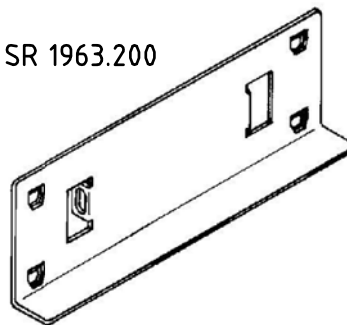




SR 1962.200



SR 1963.200





# Rittal – The System.

---

Faster – better – everywhere.

- Enclosures
- Power Distribution
- Climate Control
- IT Infrastructure
- Software & Services

You can find the contact details of all Rittal companies throughout the world here.



[www.rittal.com/contact](http://www.rittal.com/contact)

ENCLOSURES

POWER DISTRIBUTION

CLIMATE CONTROL

IT INFRASTRUCTURE

SOFTWARE & SERVICES

FRIEDHELM LOH GROUP

