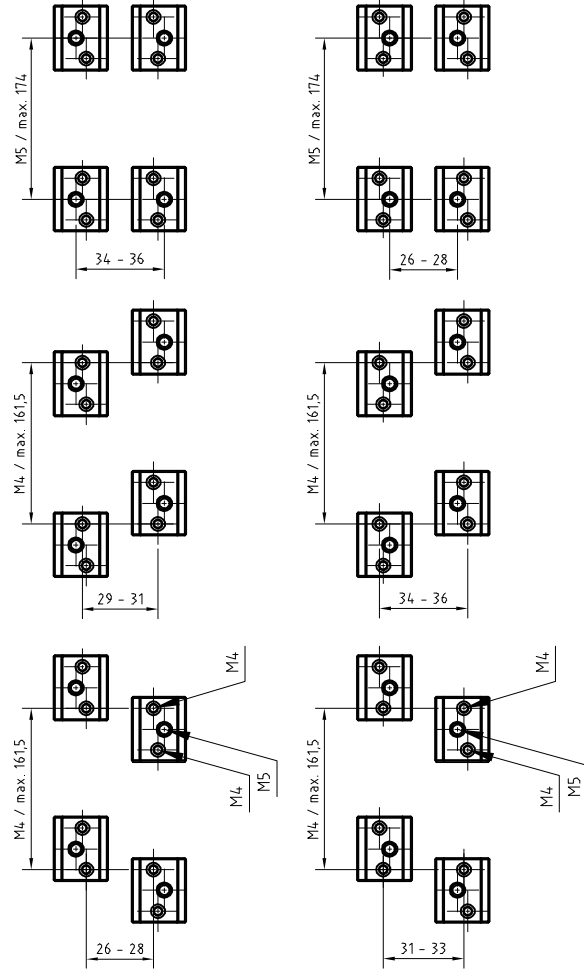




SV
9342.610



IEC	35 - 120 mm ² (Cu) 11 Nm	AWG 2 - MCM 250 75 °C copper 97 lb-in	10 x 15,5 x 0,8 (Cu) 11 Nm
UL	-	75 °C copper 97 lb-in	10 x 15,5 x 0,8 75 °C copper 97 lb-in



1 SV CB-Geräteadapter 250A

60 mm Schienenmittenabstand

1 SV Circuit-breaker component adaptor 250A

60 mm busbar centre distance

1 SV Adaptateurs de disjoncteurs 250A

60 mm d'écartement entre les axes des barres

Suitable for use on a circuit capable of delivering not more than 50 kA SCCR symmetrical amperes, 600 volts maximum.

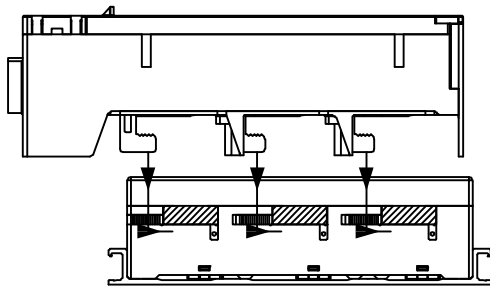
When protected by a combination motor controller (UL category DIVQ) rated up to 250A, having an interrupting rating not less than 50 kA symmetrical amperes, 600 volts maximum.

Zchg.-Nr. / No. of dwg. : A3987403SV
Versandbeutel-Nr. / No. of accessory bag : -

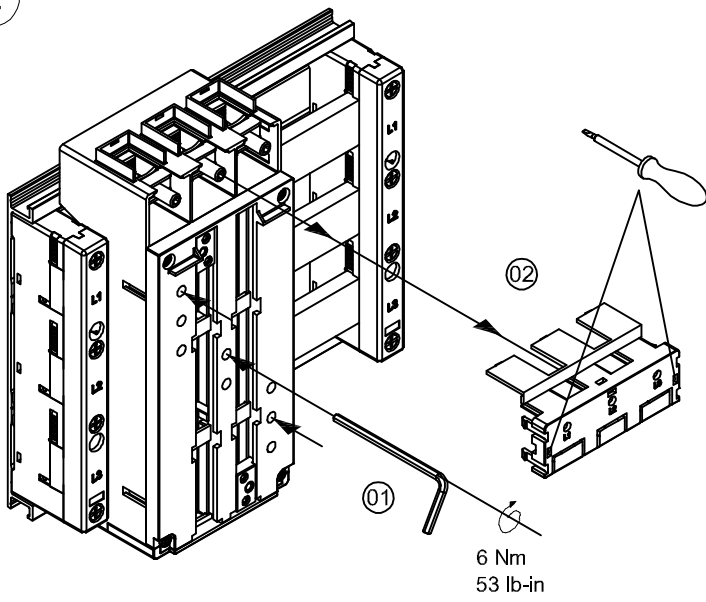
Lieferanten-Nr. / No. of supplier :

For further information: www.rittal.com

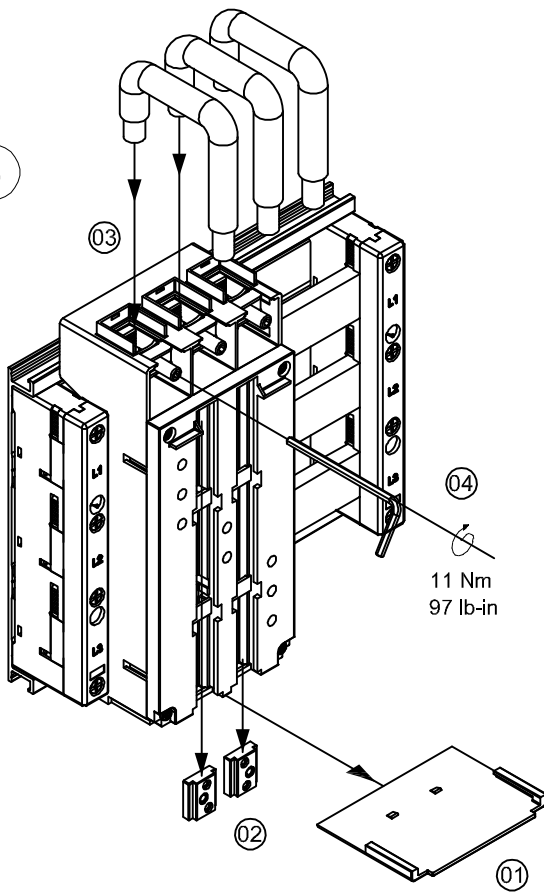
1



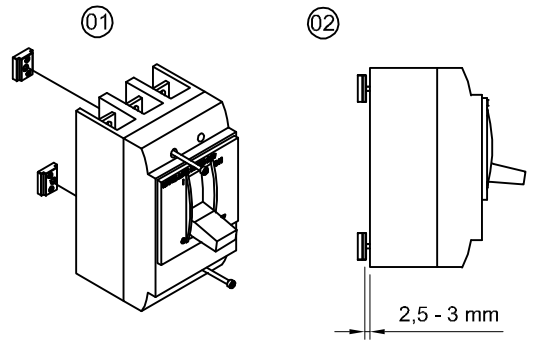
2



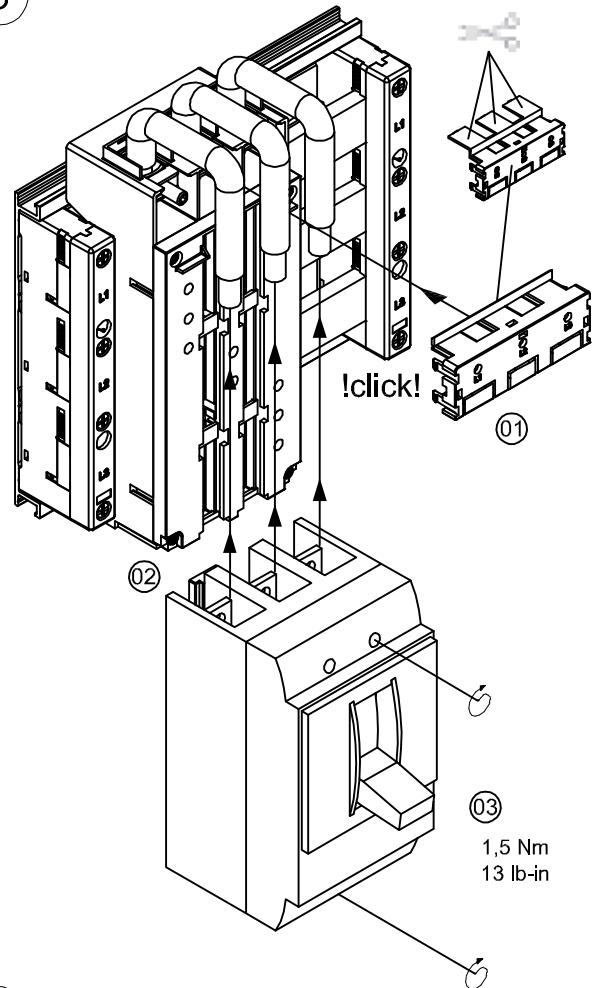
3



4



5



6

