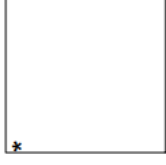
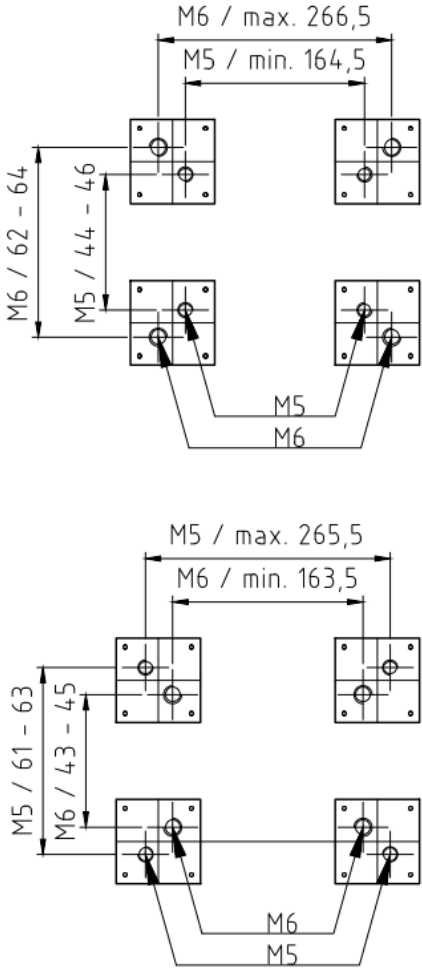




Raum für Verpackungsdatum  
Area for date of packing  
(MMJJTT / MMYDDD)



**SV**  
9345.700  
9345.710  
9345.720  
9345.730

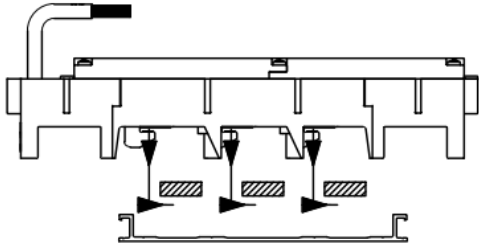


1 SV CB-Geräteadapter 400A / 630A 60 mm Schienenmittenabstand	1 SV Circuit-breaker component adaptor 400A / 630A 60 mm busbar centre distance	1 SV Adaptateurs de disjoncteurs 400A / 630A 60 mm d'écartement entre les axes des barres	Dok.-Nr. / No. of doc.: A4617905SV Versandbeutel-Nr. / No. of accessory bag : -	Made in XXXXX Lieferanten-Nr. / No. of supplier :
--	--	--	--	--

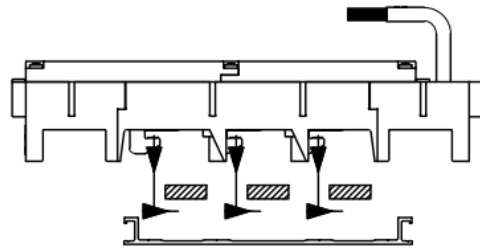
<b>Article No.</b>	<b>SV9345.700, SV9345.710</b>	
Suitable for use on a circuit capable of delivering not more than SCCR symmetrical amperes	Maximum voltage AC	Maximum condition when protected by
[kA]	[V]	
65	480	Circuit breaker (UL category DIVQ7) rated up to 600A, having an interrupting rating not less than 65kA symmetrical amperes
<b>Article No.</b>	<b>SV9345.720, SV9345.730</b>	
Suitable for use on a circuit capable of delivering not more than SCCR symmetrical amperes	Maximum voltage AC	Maximum condition when protected by
[kA]	[V]	
65	480	Circuit breaker (UL category DIVQ7) rated up to 400A, having an interrupting rating not less than 65kA symmetrical amperes

RITTAL GmbH & Co. KG, Auf dem Stuetzelberg, 35745 Herborn  
RITTAL Limited, Braithwell Way, Hellaaby, Rotherham, S66 8QY, UK

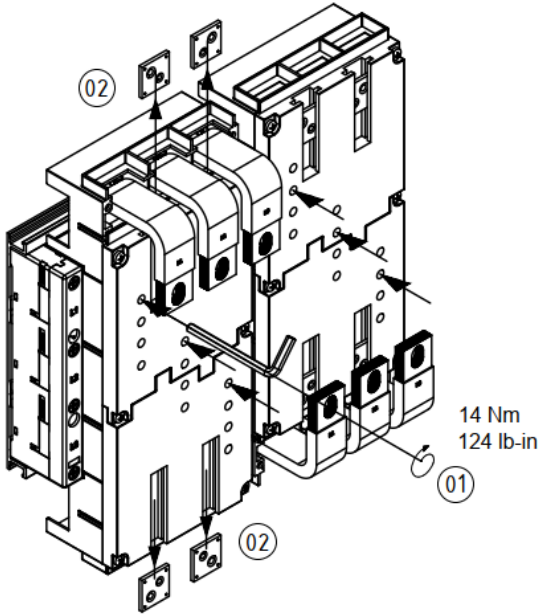
① 9345.710 / .730



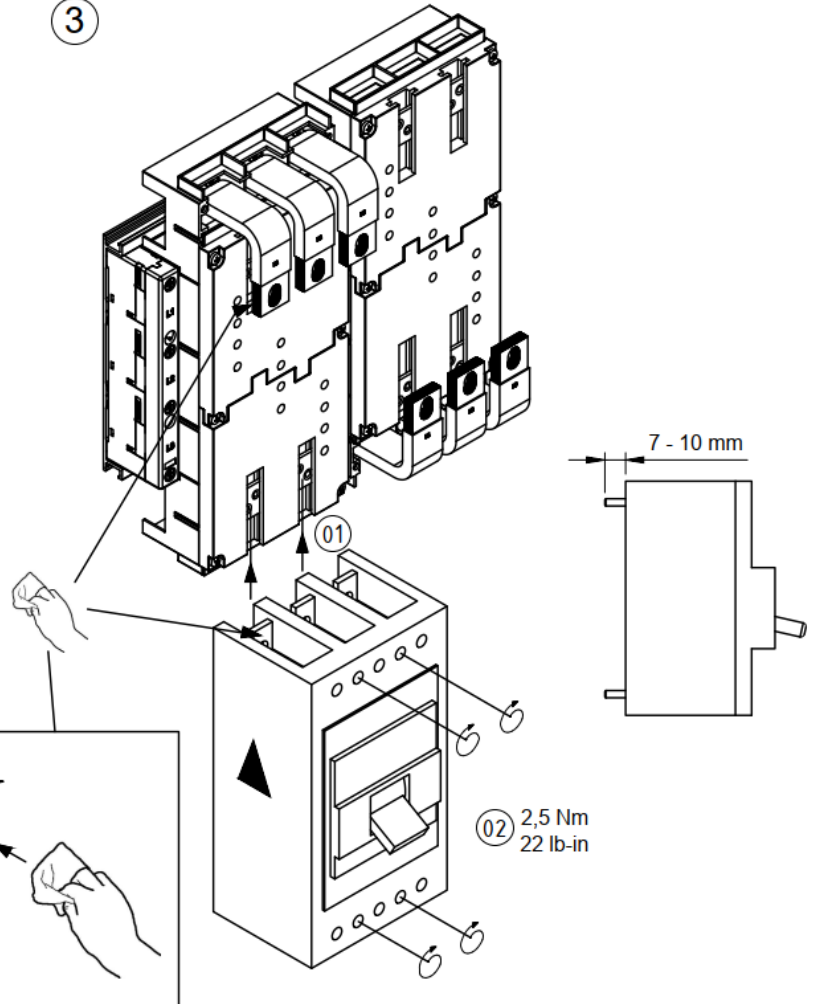
9345.700 / .720



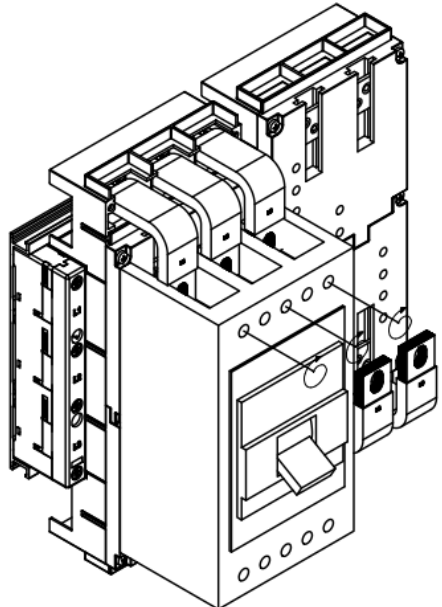
②



③



④



9342.720

