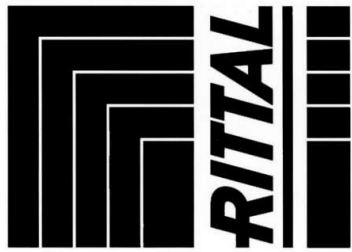
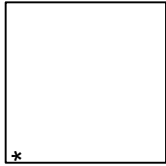


SV

9340.310, .320, .340, .350, .370
 9340.380, .390, .400, .410, .430
 9340.450, .460, .470, .700, .710
 9340.720, .730, .740, .750, .760
 9340.770, .780, .790

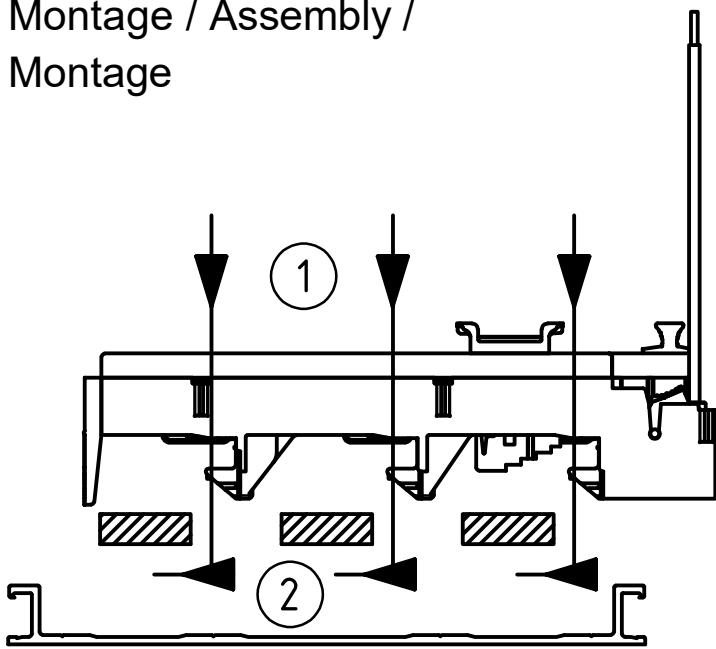


Raum für Verpackungsdatum
 Area for date of packing
 (MMJJTT / MMYDD)

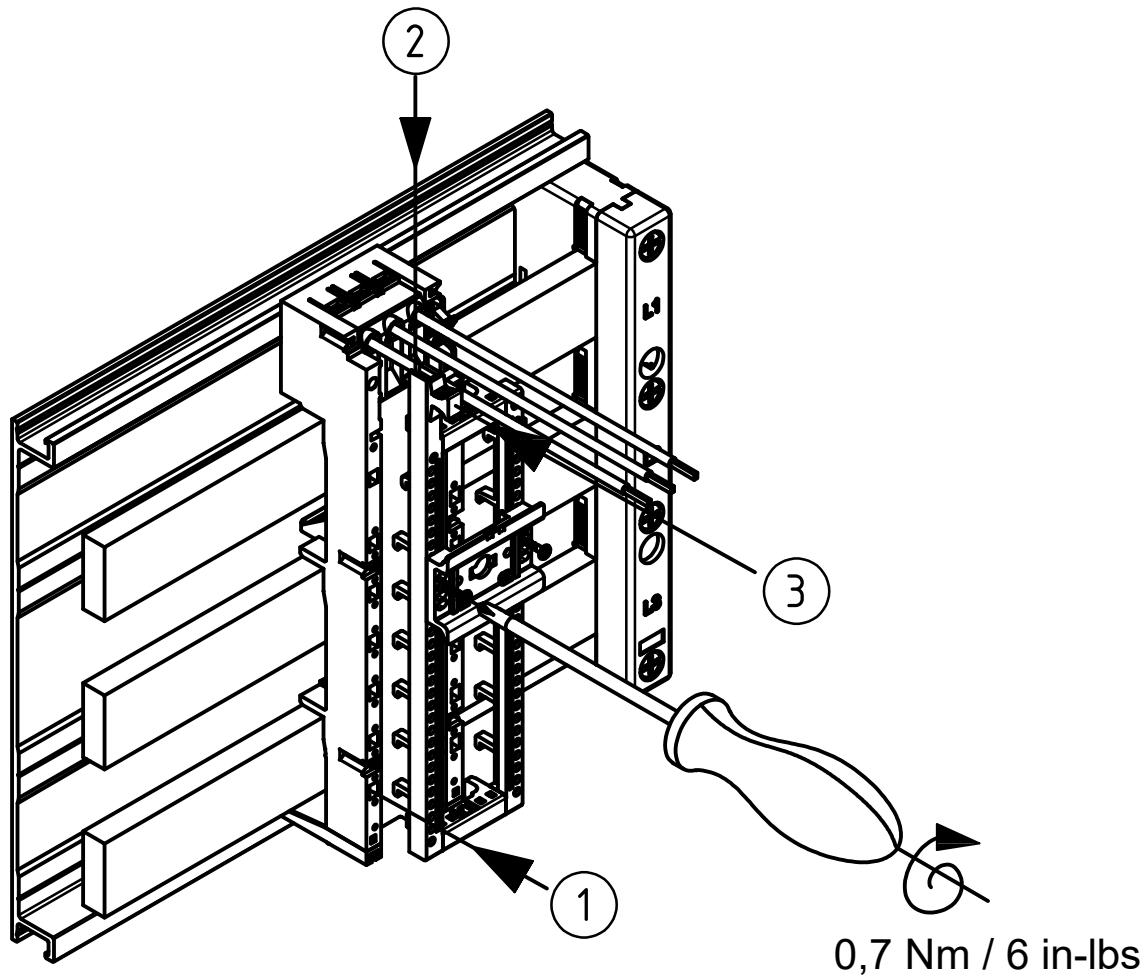
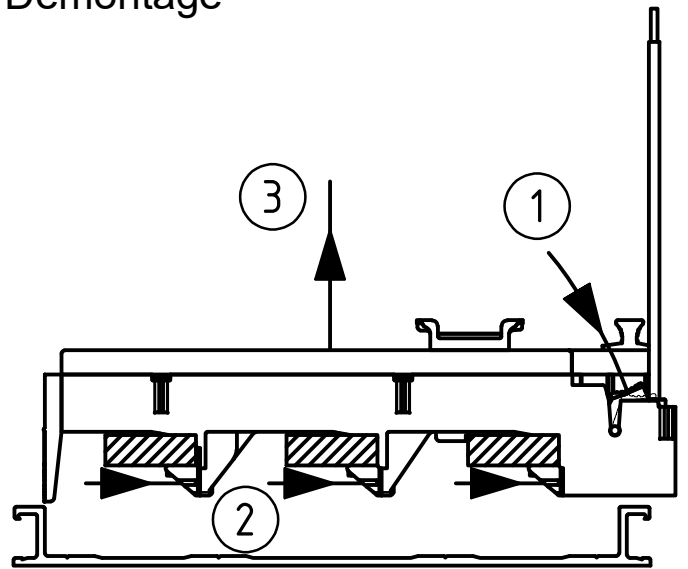
1 SV OM-Adapter mit Anschlussleitungen 60 mm Schienenmittenabstand	9340.370, .550, .760, .770		2,5x8
1 SV OM adaptor with connection cables 60 mm busbar centre distance			
1 SV Adaptateur OM, avec câbles de raccordement 60 mm d'écartement entre les axes des barres			
Dok.-Nr. / No. of doc.: A3983209SV Versandbeutel-Nr. / No. of accessory bag : 80760972		Made in XXXXX Lieferanten-Nr. / No. of supplier :	
RITTAL GmbH & Co. KG, Auf dem Stuetzelberg, 35745 Herborn RITTAL Limited, Braithwell Way, Hellsby, Rotherham, S66 8QY, UK			

Article No.	SV9340.310, .320, .340, .350, .370, .380, .390, .400, .760, .770, .780, .790	
Suitable for use on a circuit capable of delivering not more than SCCR symmetrical amperes [kA]	Maximum voltage AC [V]	Maximum condition when protected by
65	600	Class J 30A Fuses
	480	Combination motor controller (UL category NKJH/7) rated up to 32A, having an interrupting rating not less than 65kA symmetrical amperes
50	600	A) Class K5 35A Fuses
		B) Combination motor controller (UL category NKJH/7) rated up to 27A, having an interrupting rating not less than 50kA symmetrical amperes
Article No.	SV9340.410, .430, .450, .460, .470, .700, .710, .720, .730, .740, .750	
Suitable for use on a circuit capable of delivering not more than SCCR symmetrical amperes [kA]	Maximum voltage [V]	Maximum condition when protected by
65	600	Class J 60A Fuses
	480	Combination motor controller (UL category NKJH/7) rated up to 63A, having an interrupting rating not less than 65kA symmetrical amperes
30	600	Combination motor controller (UL category NKJH/7) rated up to 63A, having an interrupting rating not less than 30kA symmetrical amperes
		Class K5 60A Fuses
14	600	Class K5 60A Fuses

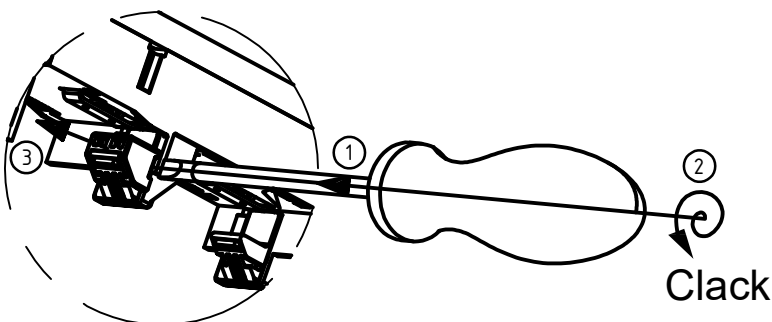
Montage / Assembly /
Montage



Demontage / Disassembly /
Démontage



A: 5 mm => 10 mm



A: 10 mm => 5 mm

