

IEC	35 - 120 mm ² (Cu) 11 Nm		10 x 15,5 x 0,8 (Cu) 11 Nm
UL	AWG 2 - MCM250 75 °C copper 97 lb-in	-	-
	12 - 30 mm		

For further information: www.rittal.com



SV
9342.250
9342.270



Raum für Verpackungsdatum
Area for date of packing
(MMJJTT / MMYDD)

1 SV Anschlussadapter 250A, 3-polig
60 mm Schienenmittenabstand

1 SV Connection adaptor 250A, 3-pole
60 mm busbar centre distance

1 Adaptateur pour raccordements SV 250A, 3-pôles
60 mm d'écartement entre les axes des barres

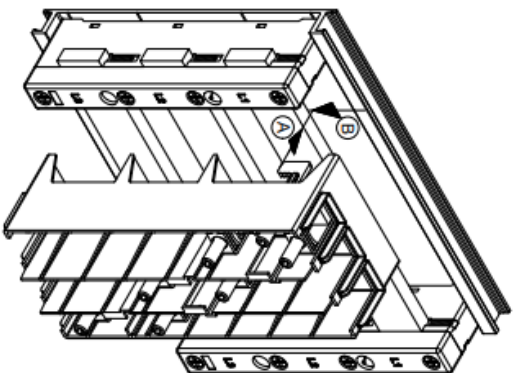
Article No.	SV9342.250, SV9342.270	
Suitable for use on a circuit capable of delivering not more than SCCR symmetrical amperes	Maximum voltage AC	Maximum condition when protected by
[kA]	[V]	
65	600	Class J 400A Fuses
	480	Circuit breaker (UL category DIVQ/7) rated up to 250A, having an interrupting rating not less than 65kA symmetrical amperes
50	600	A) Class K5 250A Fuses
		B) Combination motor controller (UL category NKJH/7) rated up to 250A, having an interrupting rating not less than 50kA symmetrical amperes

Zchnng.-Nr. / No. of dwg. : A3505406SV

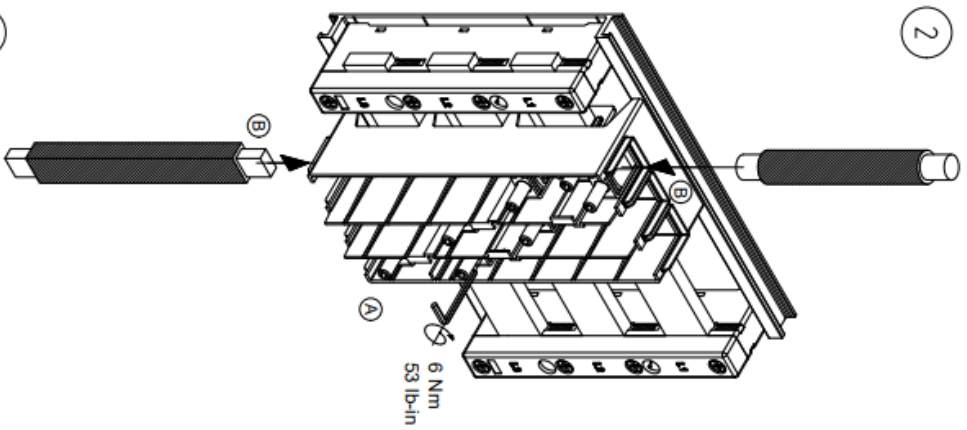
Versandbeutel-Nr. / No. of accessory bag : -

Lieferanten-Nr. / No. of supplier :

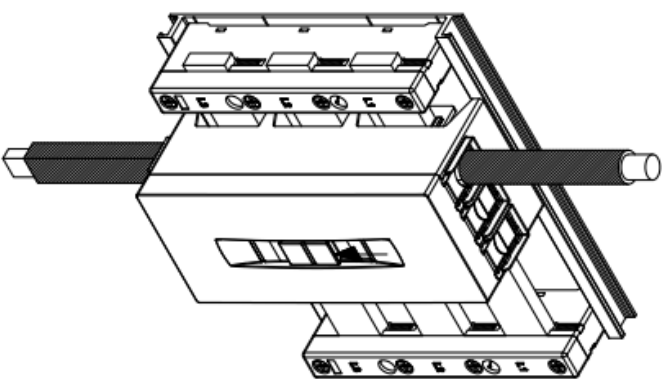
1



2



4



3

