

IEC	95 - 300 mm ² (Al / Cu) 14 Nm	95 - 185 mm ² (Cu) 14 Nm	6 x 15,5 x 0,8 - 10 x 32 x 1 (Cu) 14 Nm	
UL	AWG 4/0 - MCM600 75 °C copper 159 lb-in	-	6 x 15,5 x 0,8 - 10 x 32 x 1 75° C copper 159 lb-in	
	30 - 35 mm			30 mm

For further information: www.rittal.com



Raum für Verpackungsdatum
Area for date of packing
(MMJJTT / MMYDD)

SV
9342.280
9342.300



1 SV Anschlussadapter 800A, 3-polig
60 mm Schienenmittenabstand

1 SV Connection adaptor 800A, 3-pole
60 mm busbar centre distance

1 Adaptateur pour raccordements SV 800A, 3-pôles
60 mm d'écartement entre les axes des barres

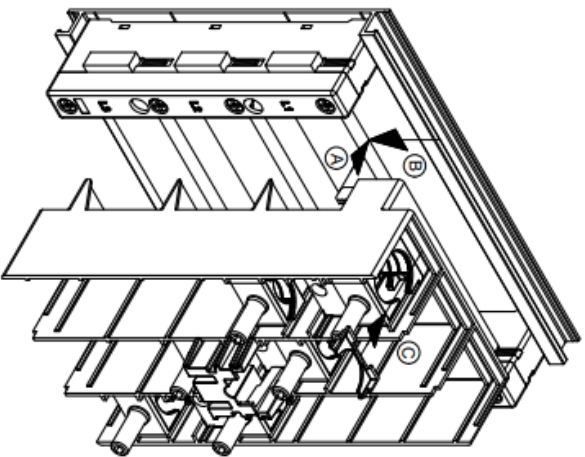
Article No.	SV9342.300	
Suitable for use on a circuit capable of delivering not more than SCCR symmetrical amperes [kA]	Maximum voltage AC [V]	Maximum condition when protected by
65	600	Class L 800A Fuses
	480	Circuit breaker (UL category DIVQ/7) rated up to 600A, having an interrupting rating not less than 65kA symmetrical amperes
50	600	Class K5 600A Fuses

Zchnng.-Nr. / No. of dwg. : A3506806SV

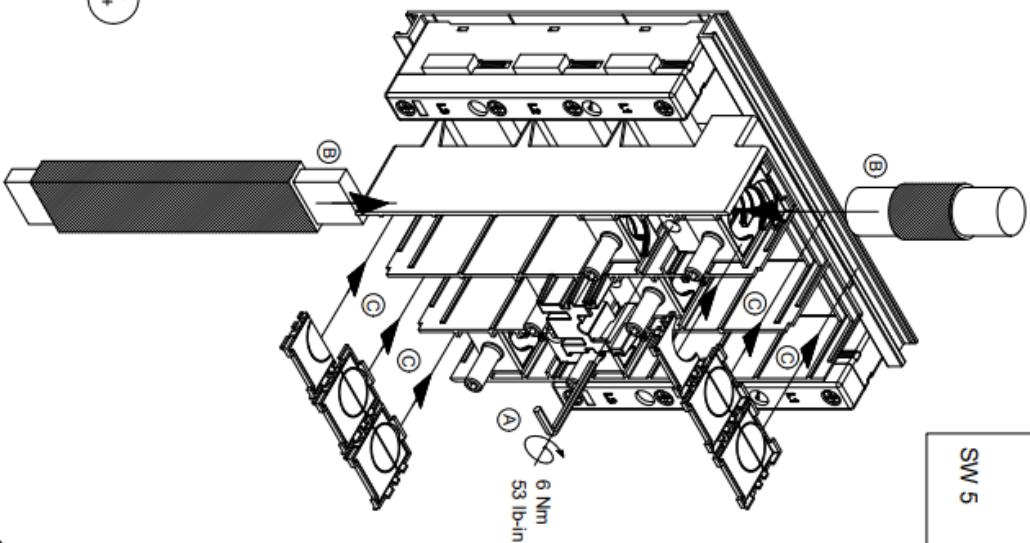
Versandbeutel-Nr. / No. of accessory bag : -

Lieferanten-Nr. / No. of supplier :

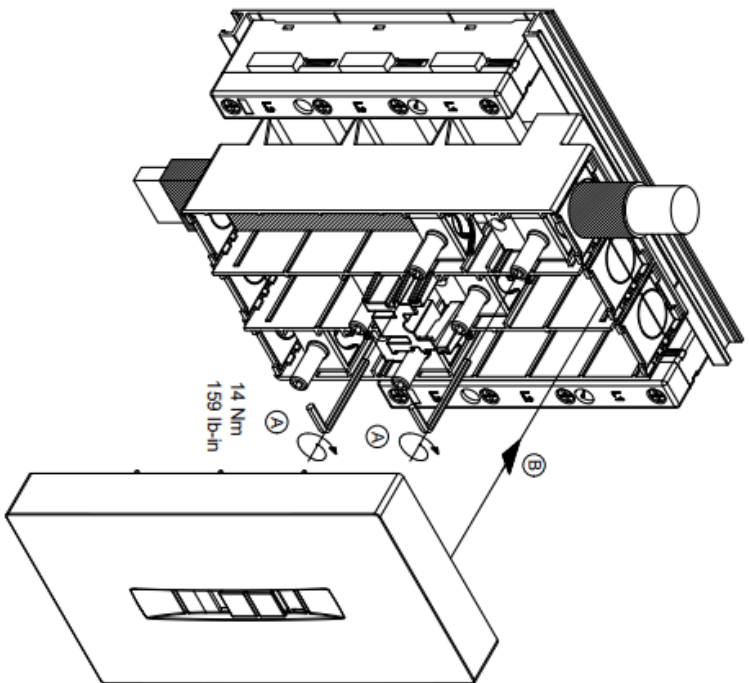
1



2



3



4

