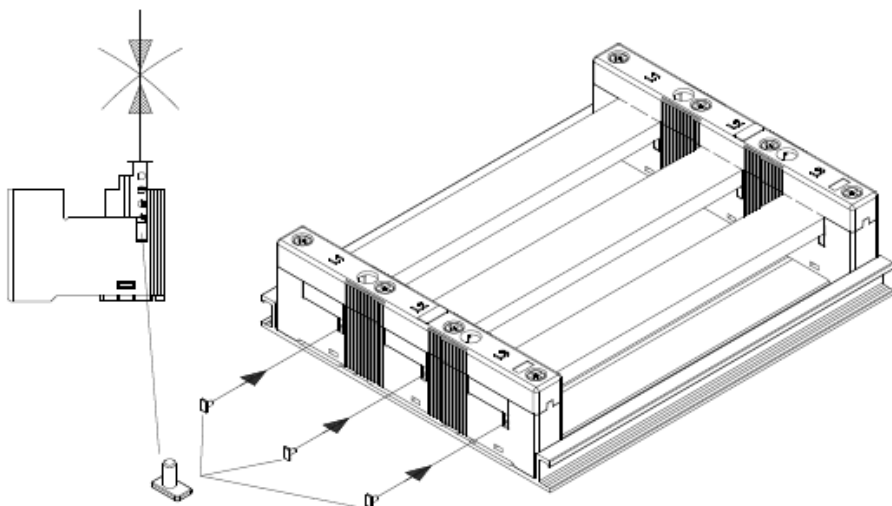


Optional / optional / optionnel



SV  
9340.050

Raum für Verpackungsdatum  
Area for date of packing  
( MMJJTT / MMYDD )

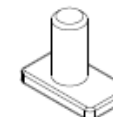


**4 Sammelschienenhalter**  
60 mm Schienenmittenabstand

**4 Busbar supports**  
60 mm busbar centre distance

**4 Supports de jeux de barres**  
60 mm d'écartement entre les axes des barres

12x



Article No.	SV9340.050			
Suitable for use on a circuit capable of delivering not more than SCCR symmetrical amperes [kA]	Maximum voltage AC [V]	Maximum condition when protected by	Spacing between supports [mm]	Busbar dimension WxH [mm]
73	600	Class L 800A Fuses	250	30x5/10
65	480	Circuit breaker (UL category DIVO/7) rated up to 600A, having an interrupting rating not less than 65kA symmetrical amperes	250	30x5/10
54	600	Circuit breaker (UL category DIVO/7) rated up to 600A, having an interrupting rating not less than 54kA symmetrical amperes	500	30x5/10
50	600	Class L 800A Fuses	350	30x5/10
30	600	-	250	15/20/25x5/10
25	600	-	500	30x5/10
25	600	-	250	12x5/10
22	600	-	500	15/20/25x5/10
14	600	-	500	12x5/10

For further information: [www.rittal.com](http://www.rittal.com)

Zchng.-Nr. / No. of dwg. : A3636603SV

Versandb.-Nr. / No. of accessory bag : 80326262

Lieferanten-Nr. / No. of supplier :

