

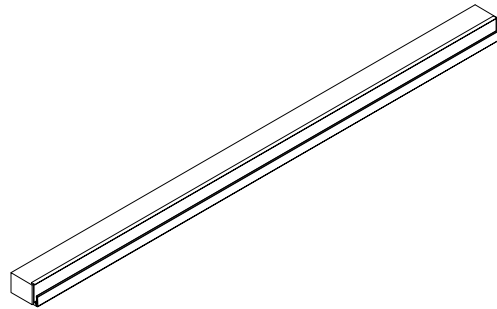


VX

8618.800  
8618.801  
8618.802  
8618.803

Raum für Verpackungsdatum  
Area for date of packing  
(MMJJTT / MMYDD)

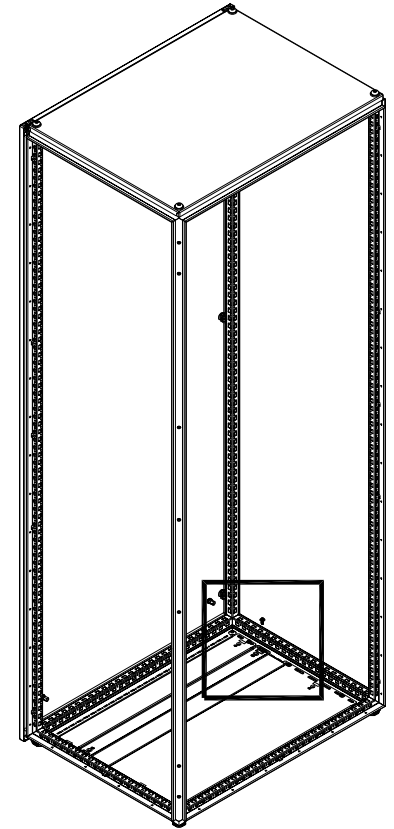
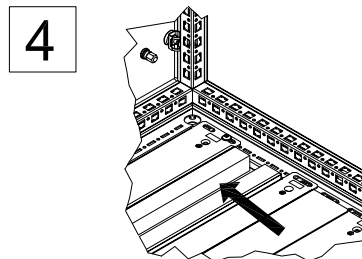
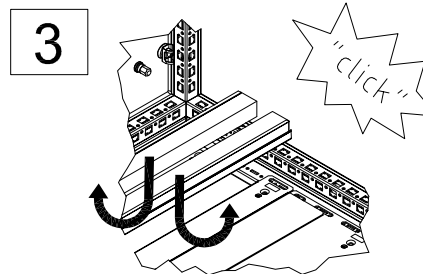
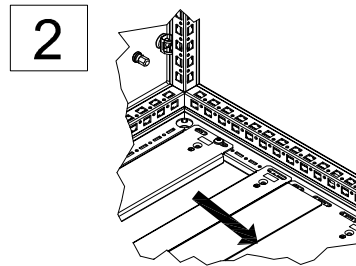
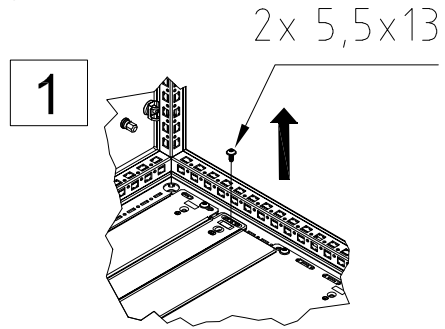
2x / 4x



Zchng.-Nr. / No. of dwg. : A08732300VX  
Versandbeutel-Nr. / No. of accessory bag :

Lieferanten-Nr. / No. of supplier :

TX30



Stahl/Steel  $M_A = 5Nm$   
Edelstahl/stainless steel  $M_A = 3Nm$

