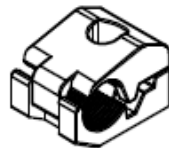




SV
9640.325

ERC CE

1x

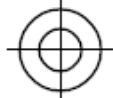


1x



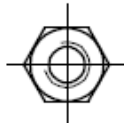
M12/M10

1x



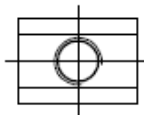
13,0

1x



M12

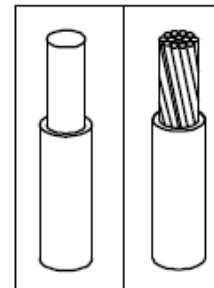
1x



M10

Zchnng.-Nr. / No. of dwg. : A3835301SV
Versandbeutel-Nr. / No. of accessory bag :-

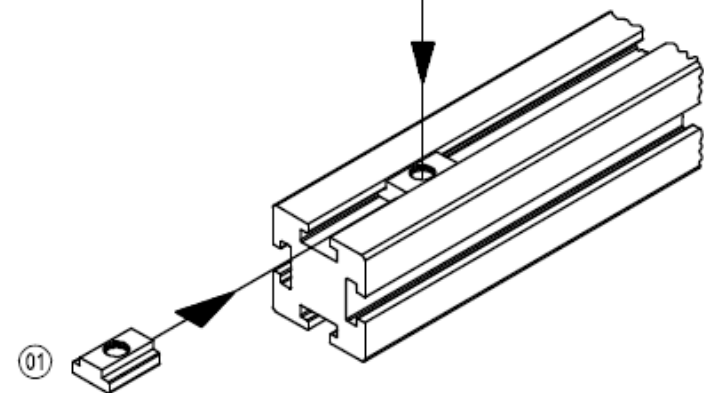
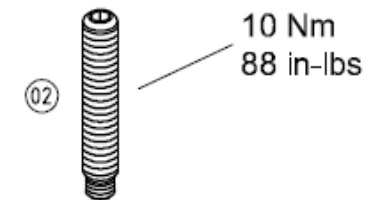
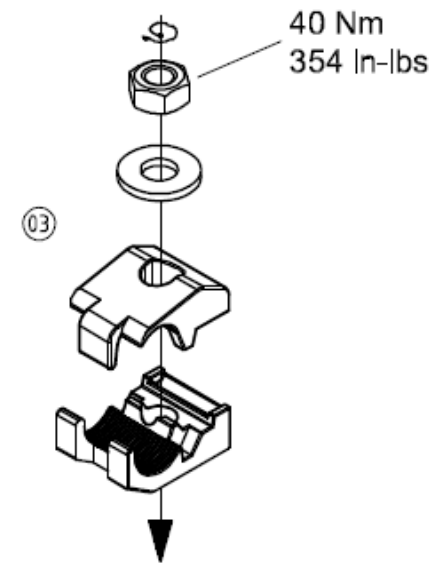
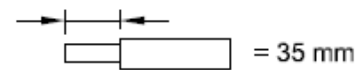
Lieferanten-Nr. / No. of supplier :



95 - 300 mm²

3/0 - 600MCM AWG

Cu / Al



For further information: www.rittal.com