

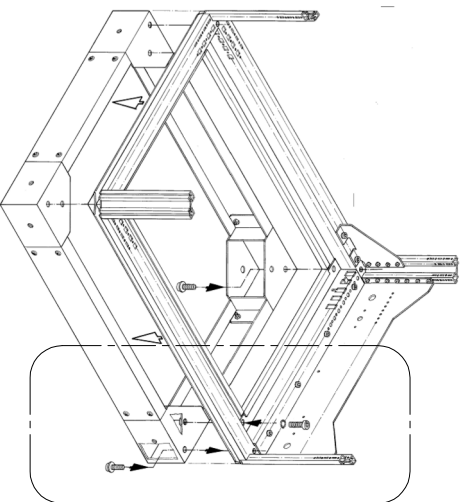
TS
8601.860



www.rittal.com

Raum für Verpackungsdatum
Area for date of packing
(MMJJTT / MMYDD)

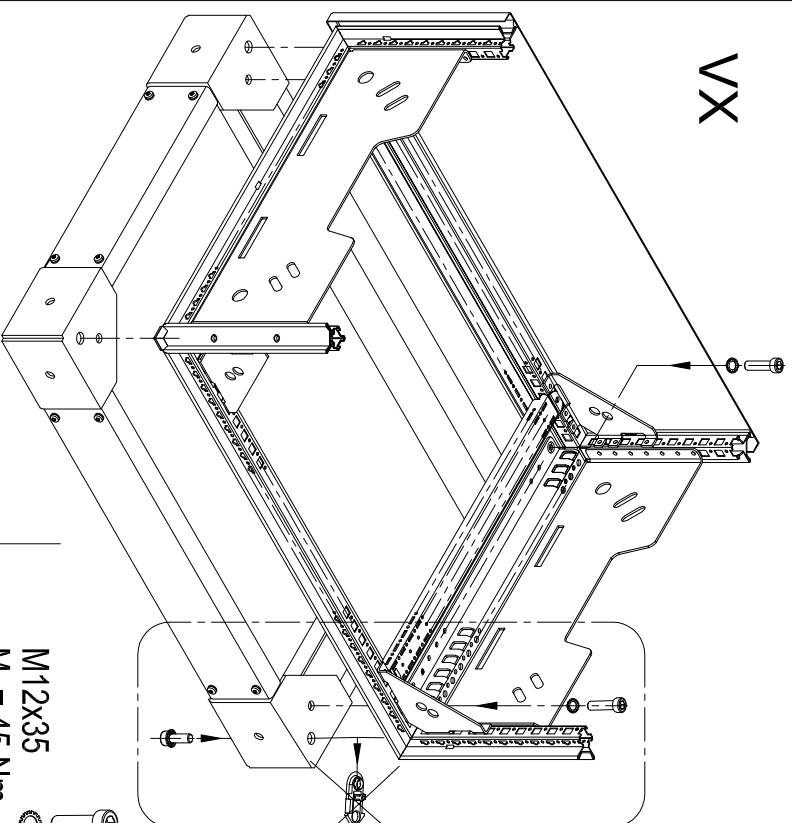
- | | | |
|----|--|--------|
| 4X | | M12x30 |
| 4X | | M12x35 |
| 4X | | Ø 13 |



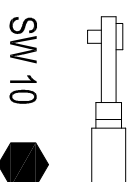
TS

Zchg.-Nr. / No. of dwg. : A3105805TS
Versandbeutel-Nr. / No. of accessory bag : 292339
Lieferanten-Nr. / No. of supplier :

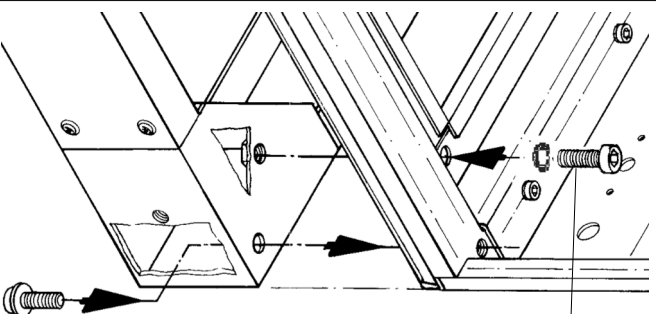
RITTAL GmbH & Co. KG, Auf dem Stuetzelberg, 35745 Herborn
RITTAL Limited, Braithwell Way, Hellsby Rotherham, S66 8QY, UK



VX



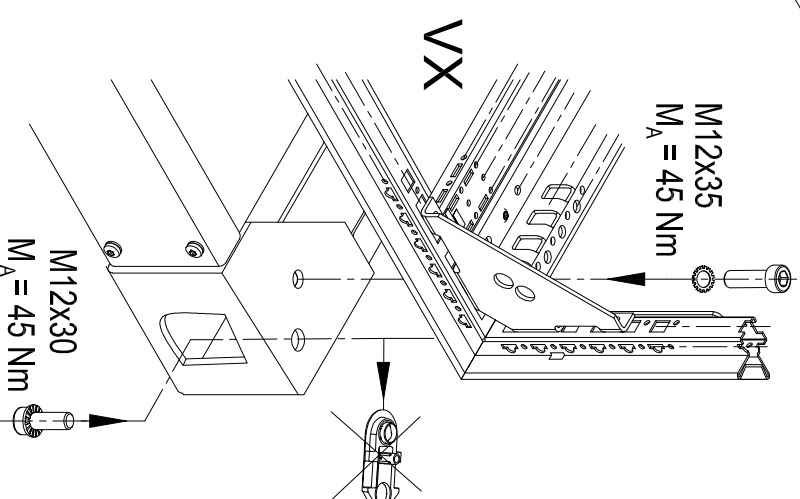
SW 10



M12x35
 $M_A = 45 \text{ Nm}$

TS

M12x30
 $M_A = 45 \text{ Nm}$



M12x35
 $M_A = 45 \text{ Nm}$

VX

M12x30
 $M_A = 45 \text{ Nm}$