

Rittal – The System.

Faster – better – everywhere.

Gleitschiene, tiefenvariabel
Slide rail, depth-variable
Glissière, réglable en profondeur



DK 5501.460
DK 5302.035

Montage- und Bedienungsanleitung
Assembly and operating instructions
Notice d'emploi et de montage

ENCLOSURES

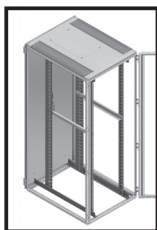
POWER DISTRIBUTION




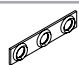


CLIMATE CONTROL

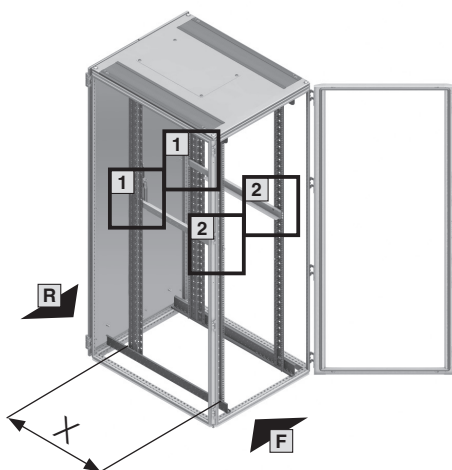
IT INFRASTRUCTURE

SOFTWARE & SERVICES



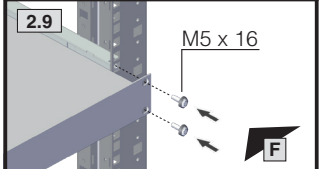
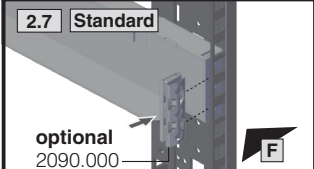
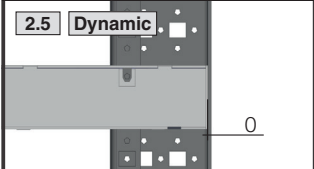
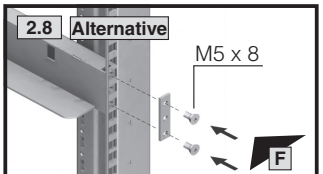
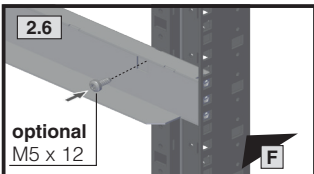
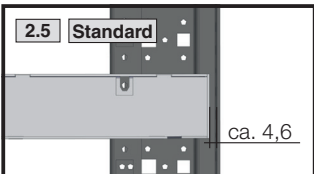
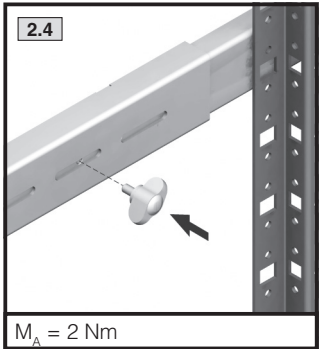
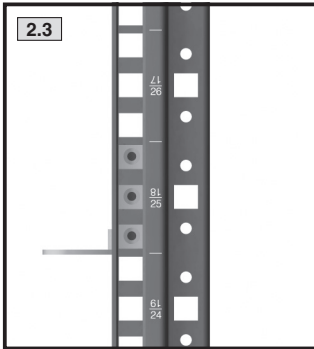
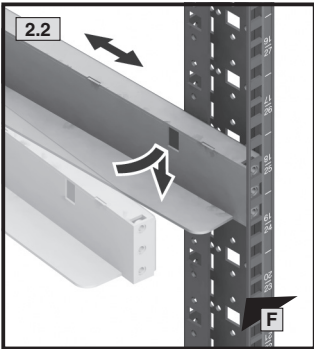
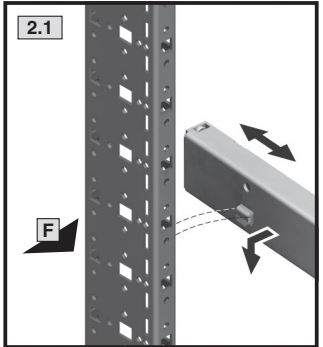
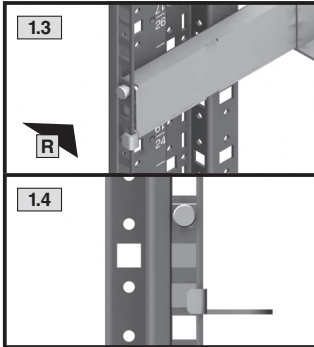
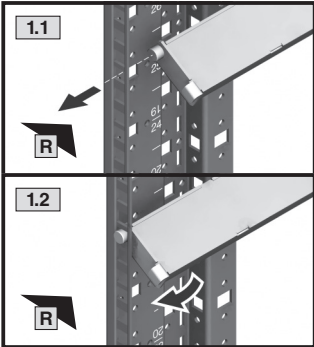


	X mm	 F [N]	
Best.-Nr. DK Model No. DK Référence DK	400 - 600	↓ 800	5501.460
	600 - 825	↓ 1500	5302.035
			1 x
	5 x 12		2 x
			2 x
	M5 x 8		4 x
			2 x





TX25/30



Rittal – The System.

Faster – better – everywhere.

- Enclosures
- Power Distribution
- Climate Control
- IT Infrastructure
- Software & Services

You can find the contact details of all Rittal companies throughout the world here.



www.rittal.com/contact

RITTAL GmbH & Co. KG
Postfach 1662 · D-35726 Herborn
Phone +49(0)2772 505-0 · Fax +49(0)2772 505-2319
E-mail: info@rittal.de · www.rittal.com

10.2022/D-0000-00001867Rev02



ENCLOSURES

POWER DISTRIBUTION

CLIMATE CONTROL

IT INFRASTRUCTURE

SOFTWARE & SERVICES