

**Rittal – The System.**

Faster – better – everywhere.

# Rittal Signal Pillar Systems

For real-time display of operating statuses



ENCLOSURES

POWER DISTRIBUTION

CLIMATE CONTROL

IT INFRASTRUCTURE

SOFTWARE & SERVICES

FRIEDHELM LOH GROUP



# Signal pillars – Plug-and-play or individually configurable

---



### Identify problems immediately

- Identify malfunctions and operating statuses in machines and automated processes immediately with Rittal's flexible range of signal pillars to suit all applications.



### Select according to your needs

- If you only need three standard signal colours, the plug-and-play 3-way LED signal system is the ideal choice.
- For specific applications requiring individual combinations of up to five different signal colours, the configurable modular system is the answer.
- Choose from five optical components and four acoustic components each in 24 V AC/DC or 230 V.
- The label panel allows clear labelling of up to five optical components.



### Application-appropriate installation

- Whether wall or base mounting, on a flat substructure or angled on support arm systems, our extensive range of accessories can accommodate all applicationspecific installation requirements with maximum flexibility.



# Signal pillars at a glance

## Plug-and-play system



### Signal pillar, 3-way LED



For wall/base mounting



For conduit mounting

Model No.	
2372.102	2372.101

- 1 LED steady light component 24 V AC/DC, < 35 mA
- 2 LED steady light component 230 V, < 35 mA
- 3 LED flashing light component 24 V AC/DC
- 4 LED flashing light component 230 V
- 5 Stroboscopic light component 24 V (DC), < 105 mA
- 6 Acoustic component 24 V AC/DC, 95 – 105 dB (continuous tone or pulsating)
- 7 Acoustic component 24 V AC/DC, 102 dB (adjustable volume and choice of 8 sounds)
- 8 Acoustic component 230 V, 95 – 105 dB (continuous tone or pulsating)

- 9 Acoustic component 230 V, 102 dB (adjustable volume and choice of 8 sounds)
- 10 Mounting component for support arm system CP 40, steel
  - Angle piece 90° 6501.140
- 11 Mounting component for support arm system CP 60
  - Angle adaptor 90° for support arm combination CP 60 to CP 40 6206.640
  - Angle coupling 90° 6206.380
  - Angle piece 90° 6206.600
  - Intermediate hinge 6206.620
  - Wall-mounted hinge 6206.740
  - Top-mounted joint 6206.700

- 12 Mounting component for support arm system CP 120
  - Angle coupling 90° 6212.380
  - Angle piece 90° 6212.600
  - Intermediate hinge 6212.620
  - Wall-mounted hinge 6212.740
  - Top-mounted joint 6212.700
- 12 Mounting component for support arm system CP 180
  - Angle piece 90° 6218.600
  - Top-mounted joint 6218.700

### Label panel



Model No.

2374.150

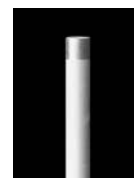
### Mounting component for conduit mounting



Base with integral conduit, Ø 25 mm, 110 mm long



Individual base



Individual conduit, 250 mm long



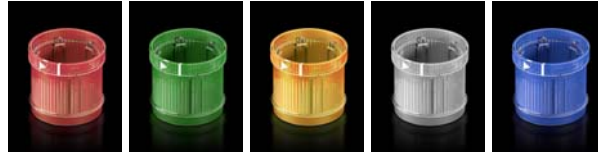
Angle bracket for conduit mounting

Model No.				
2374.000	2374.010	2374.020	2374.030	2374.050

## Modular system



### Optical component for signal pillar, modular



Red      Green      Yellow      Clear      Blue

	Model No.				
1	2372.001	2372.011	2372.021	2372.031	2372.041
2	2370.151	2370.161	2370.171	-	-
3	2370.501	2370.511	2370.521	2370.531	2370.541
4	2370.551	-	2370.571	-	-
5	2371.001	-	2371.021	-	-

### Acoustic component



	Model No.
6	2376.001
7	2376.011
8	2376.021
9	2376.031

### Connection component for signal pillar, modular



For conduit mounting



For wall/base mounting

	Model No.
	2368.001
	2368.002

### Mounting component for support arm systems



10

11

12

	Model No.		
	2375.030	6206.900	6212.900

### Mounting component for wall/base mounting



Bracket for connection component



For side cable outlet

	Model No.	
	2374.040	2374.080

# Signal pillars



## Signal pillar, 3-way LED

### Benefits:

- Complete plug-and-pay solution
- Extremely long service life of the LEDs (max. 100,000 hours, therefore maintenance-free)
- Minimal assembly work and warehousing costs

### Technical specifications:

- 3-stage: red, yellow and green
- Operating voltage: 24 V AC/DC
- Electrical connection: Screwless spring terminals
- Lamp: LED
- Transmission angle: 3 x 120°
- Operating temperature: -20 °C...+50 °C
- Flashing function: Controllable via PLC
- Cable entry: Metric screwed cable gland M12 x 1.5 for cable diameter 3.0 – 6.5 mm

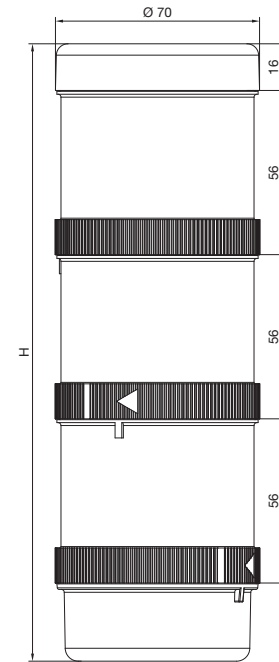
### Protection category IP to IEC 60 529:

- IP 65

Design	Packs of	H mm	Model No.
for conduit mounting	1 pc(s).	210.5	<b>2372.101</b>
for base mounting	1 pc(s).	212.0	<b>2372.102</b>

### + Accessories:

- Mounting component, see page 9/10
- Label panel, see page 11



## Signal pillar, modular

### Benefits:

- Simple assembly and contact using bayonet fastener
- Configuration of up to five components with the same voltage
- Flashing and stroboscopic light component including lamp, for direct use
- Components available in a range of colours and voltages

For modular configuration of

- Connection components
- Optical components
- Acoustic components
- Label panel



## Connection component

### for signal pillar, modular

- Optionally for conduit or wall/base mounting
- Screwless spring terminals in the connection component
- With cover for optical components
- Contact hazard protection to VDE
- 12 – 230 V AC/DC

### Material:

- Polyamide enclosure

### Colour:

- Black

### Protection category IP to IEC 60 529:

- IP 65

Connection component	Model No.
for conduit mounting	<b>2368.001</b>
for wall/base mounting	<b>2368.002</b>

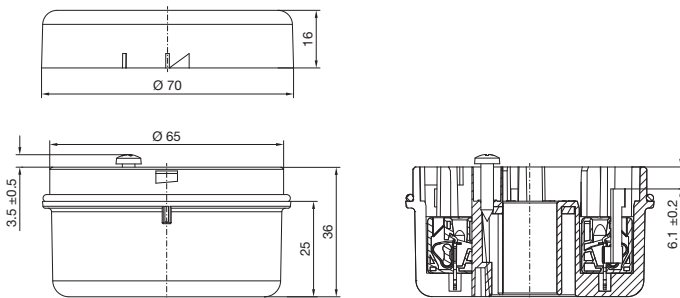


### Accessories:

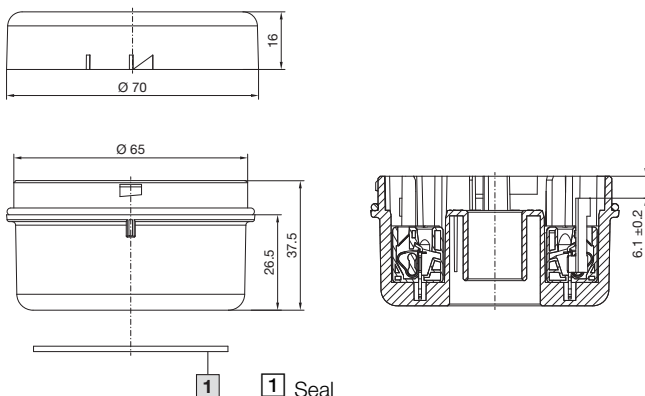
- Mounting component, see page 9/10



Connection component for conduit mounting 2368.001



Connection component for wall/base mounting 2368.002



# Signal pillars



## Optical component

### for signal pillar, modular

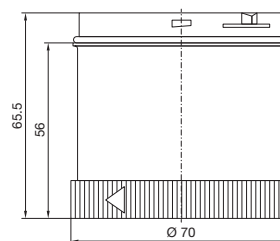
- With 360° signal transmission thanks to optimised prism system
- No. of potential stages = 5 components, with identical voltage

### Material:

- Enclosure: Polyamide
- Spherical cap: Transparent polycarbonate

### Protection category IP to IEC 60 529:

- IP 65, provided a cover or acoustic component is fitted at the top



### LED steady light component 24 V AC/DC, < 35 mA

Model No.				
Red	Green	Yellow	Clear	Blue
2372.001	2372.011	2372.021	2372.031	2372.041

### LED steady light component 230 V, < 35 mA

Model No.				
Red	Green	Yellow	Clear	Blue
2370.151	2370.161	2370.171	-	-

### LED flashing light component 24 V AC/DC, < 30 mA

Model No.				
Red	Green	Yellow	Clear	Blue
2370.501	2370.511	2370.521	2370.531	2370.541

### LED flashing light component 230 V, < 35 mA

Model No.				
Red	Green	Yellow	Clear	Blue
2370.551	-	2370.571	-	-

### Stroboscopic light component 24 V (DC), < 105 mA

Model No.				
Red	Green	Yellow	Clear	Blue
2371.001	-	2371.021	-	-



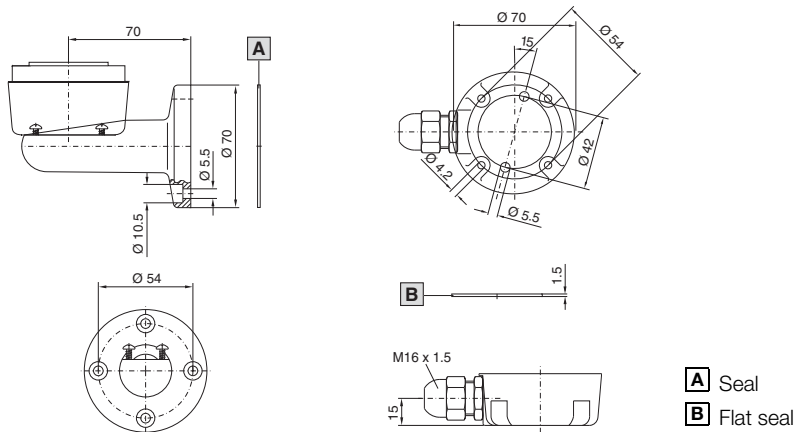
## Mounting component for wall/base mounting

Fig.	Mounting component	Colour	Model No.
1	Bracket for connection component	Black	2374.040
2	For side cable outlet	Black	2374.080

### ! Also required:

- With the modular system for wall/base mounting:  
Connection component 2368.002, see page 7

Bracket for connection component      For side cable outlet



## Mounting component for support arm systems

For external mounting of a signal pillar on the plastic cover of support arm components.

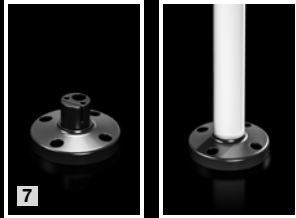
Fig.	Mounting component	Colour	Model No.
3	For support arm system CP 40, steel – Angle piece 90° 6501.140	RAL 7024 (graphite grey)	2375.030
4	For support arm system CP 60 – Angle adaptor 90° for support arm combination CP 60 to CP 40 6206.640 – Angle coupling 90° 6206.380 – Angle piece 90° 6206.600 – Intermediate hinge 6206.620 – Wall-mounted hinge 6206.740 – Top-mounted joint 6206.700	RAL 7024 (graphite grey)	6206.900
5	For support arm system CP 120 – Angle coupling 90° 6212.380 – Angle piece 90° 6212.600 – Intermediate hinge 6212.620 – Wall-mounted hinge 6212.740 – Top-mounted joint 6212.700	RAL 7024 (graphite grey)	6212.900
	For support arm system CP 180 – Angle piece 90° 6218.600 – Top-mounted joint 6218.700	RAL 7024 (graphite grey)	6212.900

### ! Also required:

- With the modular system for conduit mounting:  
Connection component 2368.001, see page 7



# Signal pillars



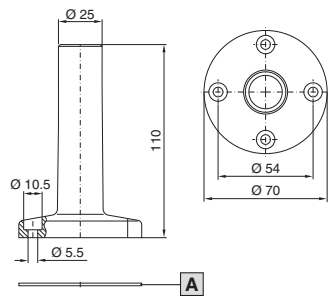
## Mounting component for conduit mounting

Fig.	Mounting component	Colour	Model No.
6	Base with integral conduit, Ø 25 mm, 110 mm long	Black	2374.000
7	Individual base	Black	2374.010
8	Individual conduit, 250 mm long	Aluminium	2374.020
	Individual conduit, 400 mm long	Aluminium	2374.030
9	Angle bracket for conduit mounting	Black	2374.050

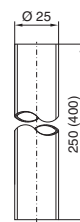
### ! Also required:

- With the modular system for conduit mounting:  
Connection component 2368.001, see page 7

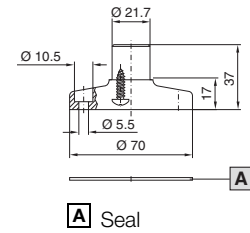
Base with integral conduit



Individual conduit

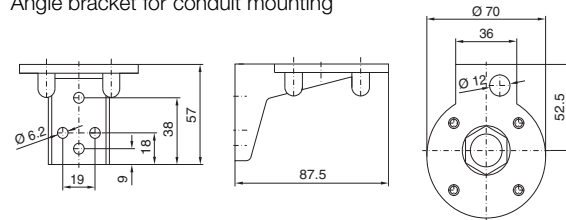


Individual base, plastic



A Seal

Angle bracket for conduit mounting



## Acoustic component

### for signal pillar, modular

To indicate warnings or malfunctions.

#### Material:

– Enclosure: Polyamide

#### Colour:

– Black

#### Protection category IP to IEC 60 529:

– IP 65

#### Note:

– For mounting only on the upper end of the optical components or directly onto the connection component

### 24 V AC/DC

Acoustic components	Packs of	Model No.
105 dB <sup>1)</sup>	1 pc(s).	<b>2376.001</b>
102 dB <sup>2)</sup>	1 pc(s).	<b>2376.011</b>

<sup>1)</sup> Continuous tone or pulsating

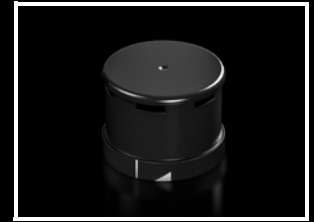
<sup>2)</sup> Adjustable volume and choice of 8 sounds

### 230 V

Acoustic components	Packs of	Model No.
105 dB <sup>1)</sup>	1 pc(s).	<b>2376.021</b>
102 dB <sup>2)</sup>	1 pc(s).	<b>2376.031</b>

<sup>1)</sup> Continuous tone or pulsating

<sup>2)</sup> Adjustable volume and choice of 8 sounds



## Label panel

### For signal pillar, 3-way LED and signal pillar, modular

For adding texts on up to 5 optical components, with break point for any fields that are not required (50 x 150 mm), including clamping section for base/conduit with Ø 25 mm.

#### Material:

– Acrylic, transparent

Label panel	Model No.
for 5 optical components	<b>2374.150</b>



# Rittal – The System.

Faster – better – everywhere.

- Enclosures
- Power Distribution
- Climate Control
- IT Infrastructure
- Software & Services

You can find the contact details of all Rittal companies throughout the world here.



[www.rittal.com/contact](http://www.rittal.com/contact)

XWWW00216EN2507

ENCLOSURES

POWER DISTRIBUTION

CLIMATE CONTROL

IT INFRASTRUCTURE

SOFTWARE & SERVICES



FRIEDHELM LOH GROUP