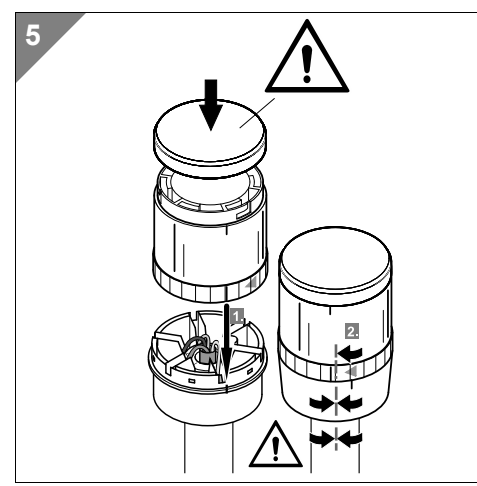
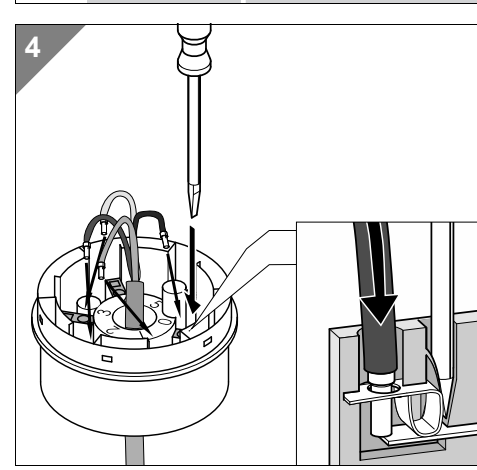
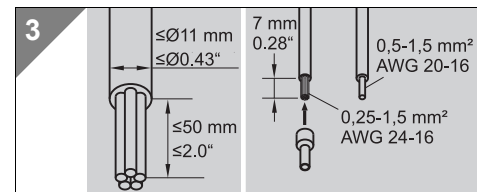
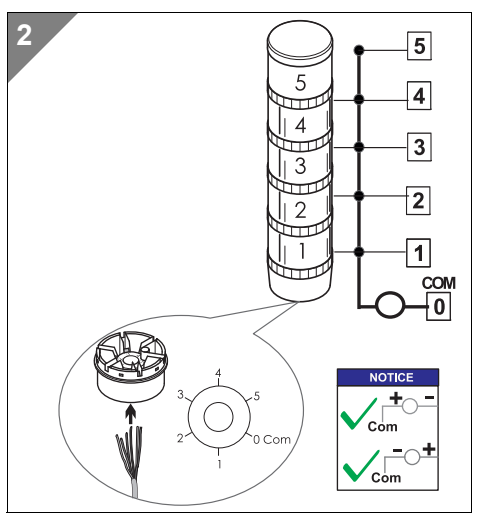
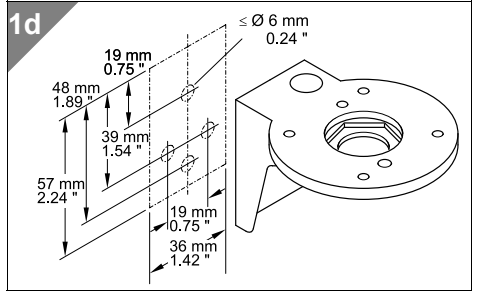
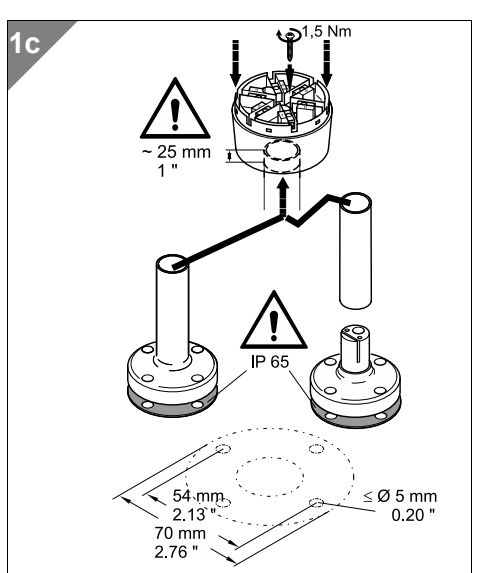
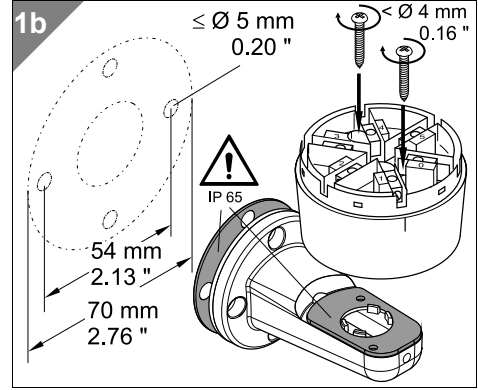
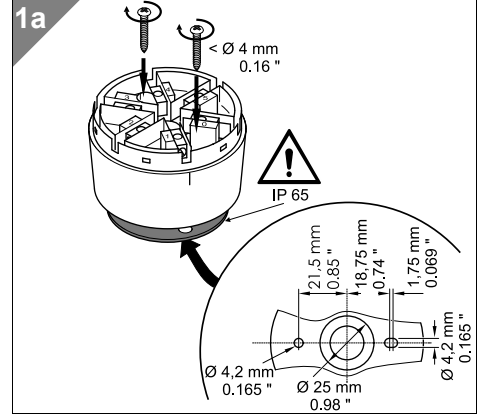


Terminal-element	SG 2368.001 SG 2368.002	12-230 V \approx
LED-Permanent light	SG 2370.151	230 V \sim <35 mA
	SG 2372.001	24 V \approx <35 mA
	SG 2370.161	230 V \sim <35 mA
	SG 2372.011	24 V \approx <25 mA
	SG 2370.171	230 V \sim <35 mA
	SG 2372.021	24 V \approx <30 mA
	SG 2372.031	24 V \approx <30 mA
	SG 2370.041	24 V \approx <25 mA

LED-Blinking light	SG 2370.551	230 V \sim	<35 mA
	SG 2370.501	24 V \approx	<25 mA
	SG 2370.571	230 V \sim	<35 mA
	SG 2370.511	24 V \approx	<25 mA
	SG 2370.521	24 V \approx	<30 mA
	SG 2370.531	24 V \approx	<30 mA
	SG 2370.541	24 V \approx	<30 mA
LED-Flashing Light	SG 2371.001	24 V \approx	<105 mA
	SG 2371.021	24 V \approx	<105 mA
≤ 105 dB Buzzer element	SG 2376.001	24 V \approx	<40 mA
	SG 2376.021	230 V \sim	<60 mA
≤ 102 dB Buzzer element	SG 2376.011	24 V \approx	<30 mA
	SG 2376.031	230 V \sim	<45 mA

1a: SG 2368.002
 1b: SG 2368.002 + SG 2374.040
 1c: SG 2368.001 + SG 2374.000, SG 2374.020, SG 2374.030, SG 2374.010
 1d: SG 2374.050



6 **WARNING**

NOTICE

≤ 105 dB

dB = dB A (SPL) 1m

6a SG 2376.001
SG 2376.021

* = Default setting

95-105dB

3kHz

2,3 - 3kHz

95 dB

105 dB

6b SG 2376.011
SG 2376.031

* = Default setting

DIP 1

OFF max.dB(A)

ON -10dB(A)

DIP	2	3	4	max. dB(A)
OFF	ON	ON	ON	2.8 kHz 102
OFF	ON	ON	OFF	0.9 kHz 96
OFF	ON	OFF	ON	2.8 kHz 96
OFF	ON	OFF	OFF	0.9 kHz 92
OFF	OFF	ON	ON	2.8 kHz 102
OFF	OFF	ON	OFF	0.9 kHz 96
OFF	OFF	OFF	ON	2.8 kHz 102
OFF	OFF	OFF	OFF	2.3 kHz 102
ON	ON	ON	ON	3.6 kHz 102

Technische Änderungen vorbehalten
 Subject to technical modifications
 Sous reserve de modifications techniques

15000001093_AB
 310.610.006



RITTAL GmbH & Co. KG
 Auf dem Stützelberg
 D- 35745 Herborn
 Telefon 02772 505 0
 Telefax 02772 505 2319
 e-Mail: info@rittal.de