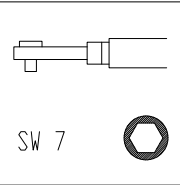
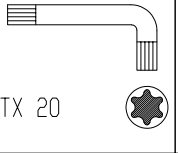
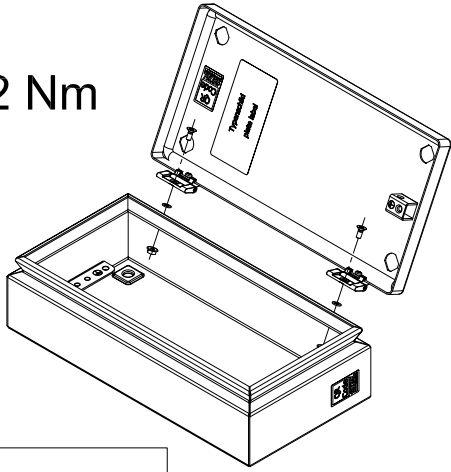
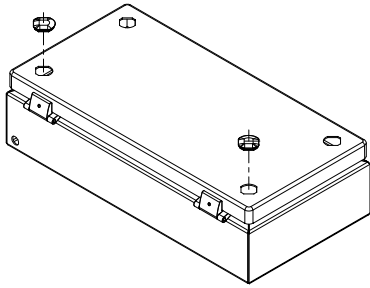


4.

$M_A = 2 \text{ Nm}$



5.

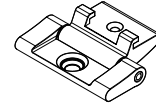


KX
1592.200



4028177938069

6x



6x



M3x6

6x



M4x10

6x



Ø4,3

6x



M4

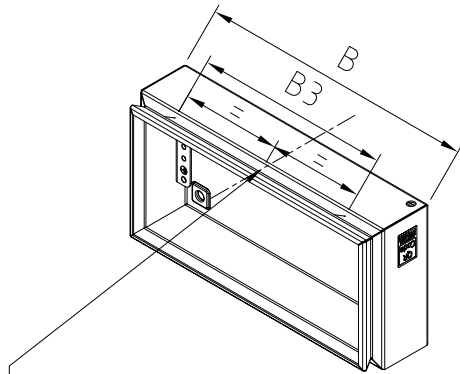
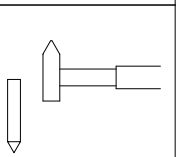
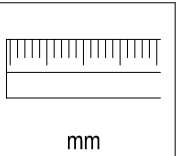
6x



Zchng.-Nr. / No. of dwg. : A08793200KX
Versandbeutel-Nr. / No. of accessory bag :

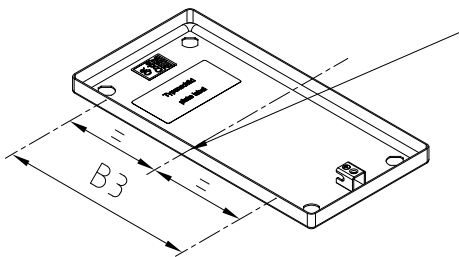
Made In
Lieferanten-Nr. / No. of supplier :

1.

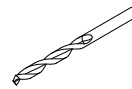


B > 600 zusätzliches Scharnier
B > 600: additional hinge

B	B3
150	82
200	110
300	210
400	310
500	410
600	510
800	2x 355 = 710

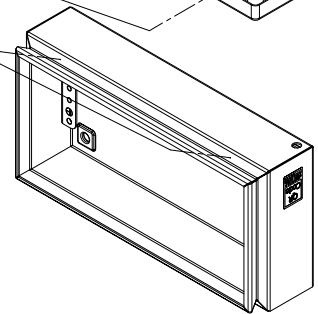
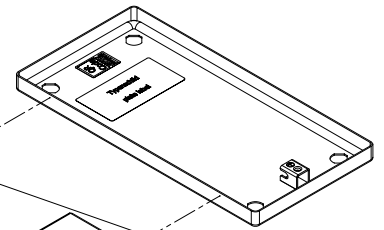


2.



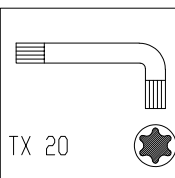
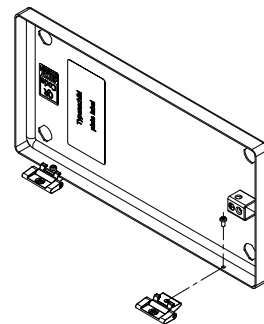
Ø3,2

Ø4,5



Ø 3,2
Ø 4,5

3.



$M_A = 1,2 \text{ Nm}$