



SV  
3504.000

600V~  
500A with cover  
700A without cover

600V~  
500A

Raum für Verpackungsdatum  
Area for date of packing  
(MMJJTT / MMYDD)



3x



M8x30

3x



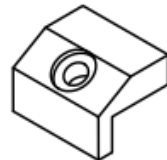
A8,4

3x

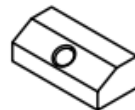


A8,1

3x



3x

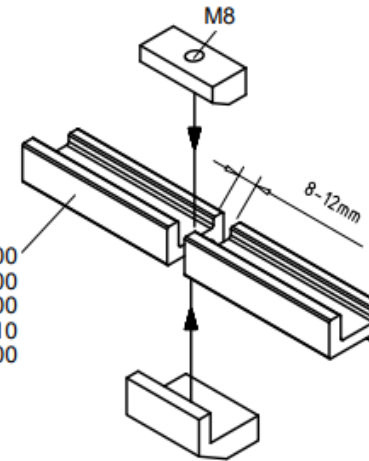


Zchn.-Nr. / No. of dwg. : A0412609SV

Versandbeutel-Nr. / No. of accessory bag : -

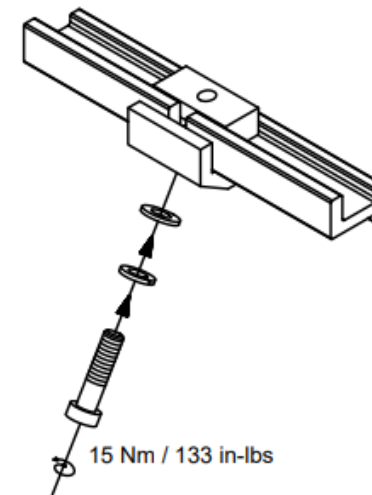
Lieferanten-Nr. / No. of supplier :

1



SV 3509.000  
SV 3524.000  
SV 3525.000  
SV 3525.010  
SV 3526.000

2



Article No.	SV3504.000		
Suitable for use on a circuit capable of delivering not more than SCCR symmetrical amperes	Maximum voltage AC	Maximum condition when protected by	Spacing between supports
[kA]	[V]		[mm]
22	600	-	200
14	600	-	500

For further information: [www.rittal.com](http://www.rittal.com)