

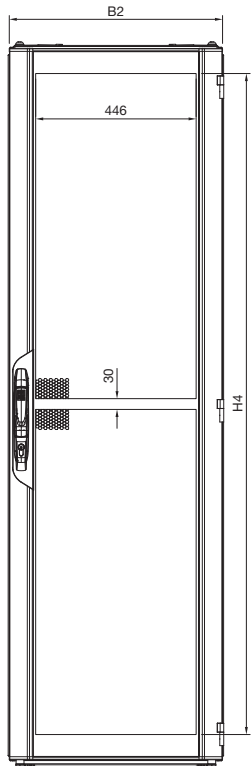
# IT infrastructure

## IT rack systems

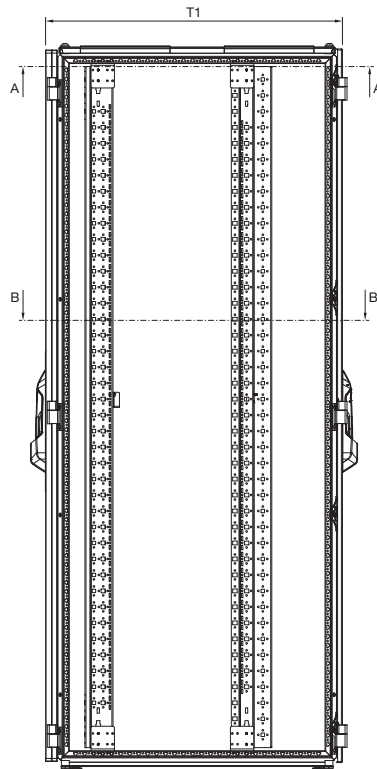
### Network/server racks VX IT

with vented doors, with 482.6 mm (19") mounting angles, standard, W 600 x D 800 mm

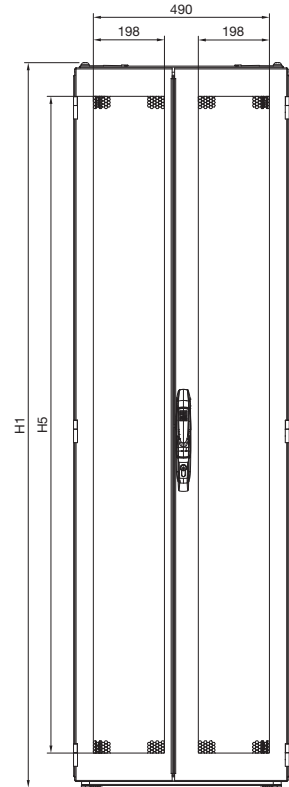
Front view



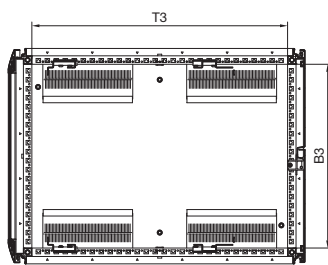
Side view



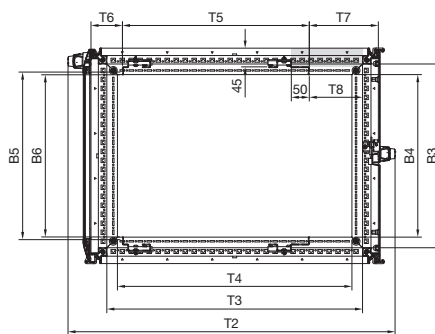
Rear view



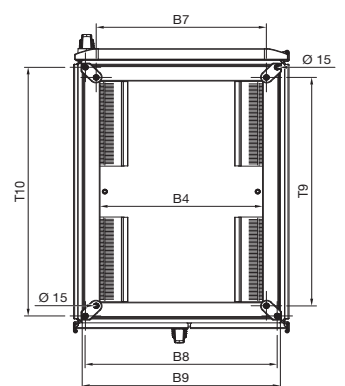
Section A – A



Section B – B



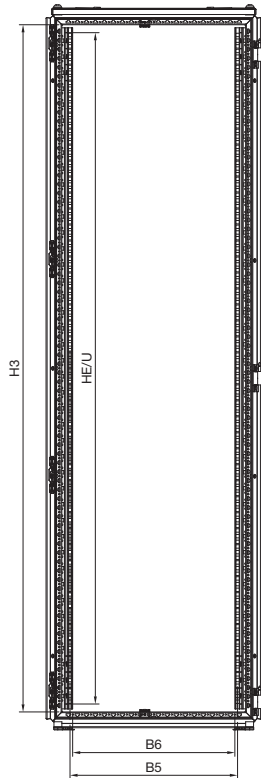
Bottom view



### Network/server racks VX IT

with vented doors, with 482.6 mm (19") mounting angles, standard, W 600 x D 800 mm

Front view without doors

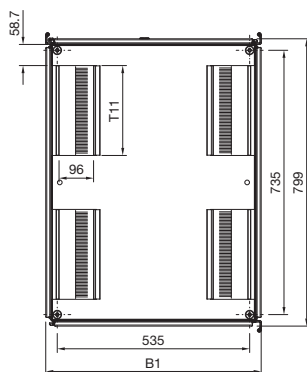


- B1 = Overall width without side panels
- B2 = Width of front door
- B3 = Clearance of enclosure frame
- B4 = Clearance base opening  
(footprint of frame excluding levelling feet, inner edge)
- B5 = Mounting dimension 19"
- B6 = Clearance within the 482.6 mm (19") mounting level
- B7 = Footprint of levelling feet  
(attached to the base frame)
- B8 = Footprint of levelling feet  
(attached to the frame corner pieces)
- B9 = Footprint of frame excluding levelling feet, outer edge
  
- H1 = Overall height
- H3 = Clearance of enclosure frame
- H4 = Height of vented area, front door
- H5 = Height of vented area, rear door
  
- T1 = Overall depth without handles
- T2 = Overall depth with handles
- T3 = Clearance of enclosure frame
- T4 = Clearance of base opening
- T5 = Distance between 482.6 mm (19") mounting levels
- T6 = Clearance in front of 482.6 mm (19") mounting level
- T7 = Clearance behind 482.6 mm (19") mounting level
- T8 = Distance between frame and 482.6 mm (19") mounting level, rear
- T9 = Footprint of levelling feet  
(attached to the base frame)
- T10 = Footprint of levelling feet  
(attached to the frame corner pieces)
- T11 = Depth of brush strip

**Note:**

- With fitted side panels, the overall width B1 is increased by 9 mm
- Depending on the baying connector, the distance between bayed enclosures is either 1 or 3 mm
- Clearance for PDU:  
Depth = T8 + 50 mm/width = 45 mm

Top view



Model no. DK	U	Width dimensions mm									Height dimensions mm				Depth dimensions mm										
		B1	B2	B3	B4	B5	B6	B7	B8	B9	H1	H3	H4	H5	T1	T2	T3	T4	T5 <sup>3)</sup>	T6 <sup>1)</sup>	T7 <sup>2)</sup>	T8	T9	T10	T11
5328.123	38	599	593	511	452	465	451	475	535	551	1817.5	1711	1638	1626	825	910	711	652	520	87.5	191.5	147.5	675	735	250
5330.113	42	599	593	511	452	465	451	475	535	551	2017.5	1911	1838	1826	825	910	711	652	520	87.5	191.5	147.5	675	735	250
5330.123	42	599	593	511	452	465	451	475	535	551	2017.5	1911	1838	1826	825	910	711	652	520	87.5	191.5	147.5	675	735	250
5330.133	42	599	593	511	452	465	451	475	535	551	2017.5	1911	1838	1826	825	910	711	652	520	87.5	191.5	147.5	675	735	250
5331.113	47	599	593	511	452	465	451	475	535	551	2217.5	2111	2038	2026	825	910	711	652	520	87.5	191.5	147.5	675	735	250

<sup>1)</sup> Min. distance 37.5 mm <sup>2)</sup> Min. distance 41.5 mm <sup>3)</sup> Max. distance 720 mm