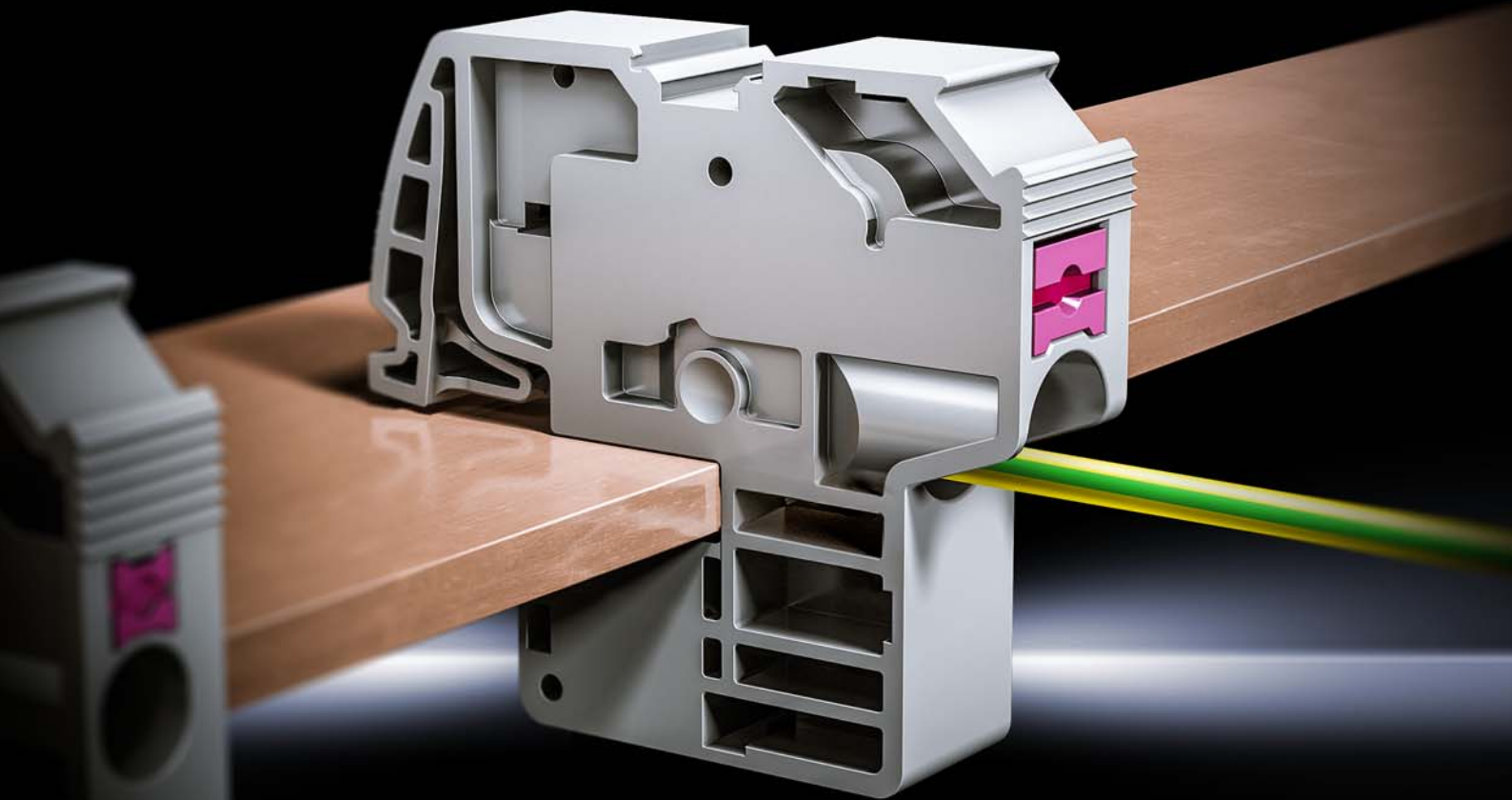


Rittal – The System.

Faster – better – everywhere.

▶ Connecting conductors just with a push



ENCLOSURES

POWER DISTRIBUTION

CLIMATE CONTROL

IT INFRASTRUCTURE

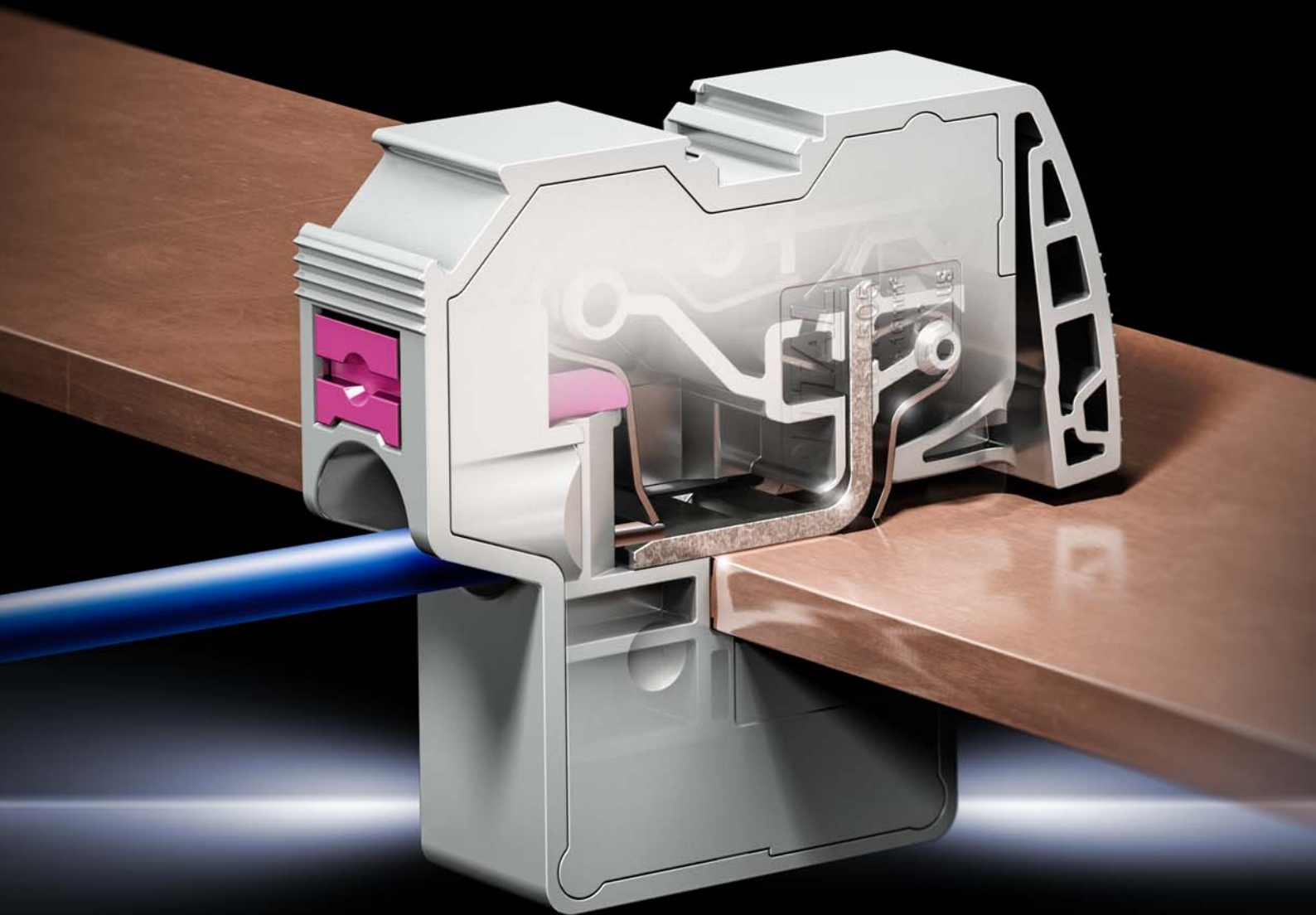
SOFTWARE & SERVICES

FRIEDHELM LOH GROUP



Rittal – The System.

Faster – better – everywhere.



ENCLOSURES

POWER DISTRIBUTION

CLIMATE CONTROL

FRIEDHELM LOH GROUP

Making safe contacts without using any tools

Little things with a great impact. Who hasn't had to do this in daily practice: quickly placing a PE terminal or a non-protected voltage tap in switching and control systems. This can now be done quickly, safely and without any tools using the new push-in conductor connection clamps.

- Completely tool-free conductor connection
- Completely maintenance-free, as the clamping screw attachment does not need to be tightened
- Large clamping range. All common types of conductors can be connected
- Fully insulated all round and with standard marking systems for labelling
- Optimal contacting by breaking the oxide layer
- International approvals



IT INFRASTRUCTURE

SOFTWARE & SERVICES



Rittal – The System.

Faster – better – everywhere.

- Enclosures
- Power Distribution
- Climate Control
- IT Infrastructure
- Software & Services

Conductor connection clamps

For bar thickness mm	Connection of round conductors, single-wire mm ²	Connection of round conductors, multi-wire mm ²	Connection of round conductors, fine wire without wire end ferrule mm ²	Connection of round conductors, fine wire with wire end ferrule mm ²	Packs of	Model No.
5	0.5 – 6	0.5 – 4	0.5 – 4	0.5 – 4	10 pc(s).	3450.505
5	1.5 – 16	1.5 – 16	1.5 – 16	1.5 – 16	10 pc(s).	3451.505
10	0.5 – 6	0.5 – 4	0.5 – 4	0.5 – 4	10 pc(s).	3455.505
10	1.5 – 16	1.5 – 16	1.5 – 16	1.5 – 16	10 pc(s).	3456.505

You can find the contact details of all Rittal companies throughout the world here.



www.rittal.com/contact

XWWW00135ENT1704

