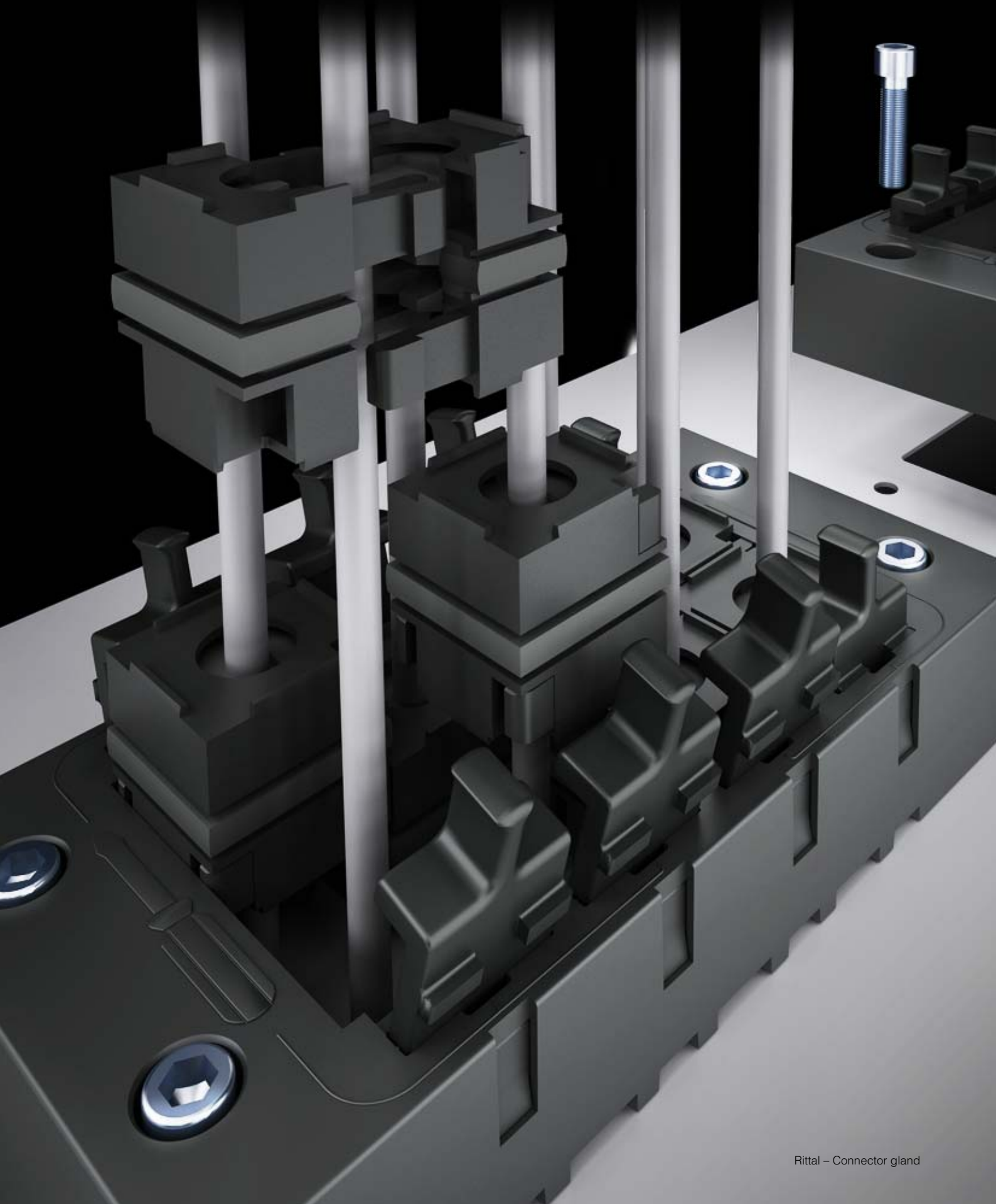


Rittal – Connector gland



Less is more – systematic cable entry





Flexible gland system for pre-assembled cables

- Simple cable entry for up to 10 pre-assembled cables.
- To replace cables, it is generally sufficient to release a single sealing module; in case of larger connectors, simply remove further modules.
- The sealing frame remains in place on the enclosure during service and in case of expansion.



Sealing modules fixed on cables by way of vibration-resistant clamps

- Modules can remain on the cables even if equipment needs to be dismantled for transport.
- Risks of inadvertent swapping or lost parts are avoided.



Only 4 sealing modules necessary for cable diameters 4 – 16 mm

- Greater flexibility and planning reliability – even if the exact cable diameter is not yet defined.
- Minimised expenditure for component stocking.
- Simple and convenient assembly.



Connector gland



The **Rittal connector gland** proves that sometimes "less is more": **significantly faster installation, a flexible sealing system for different cable diameters and simple cable entry with pre-assembled cables.** Low installation costs, a high degree of protection and flexible cable management – added value guaranteed with the latest generation of cable entry solutions from Rittal.

Benefits:

- Cable diameters 4 – 16 mm
- Simple cable entry for pre-assembled cables
- Individual cables can be added or replaced without dismantling the sealing frame
- Sealing modules remain safely attached to their cables



Sealing frame

For pre-assembled cables with connectors.

Mounting over 24-pole or 16-pole connector cut-outs in:

- Module plates for TS divider panels
- Metal gland plates

Material:

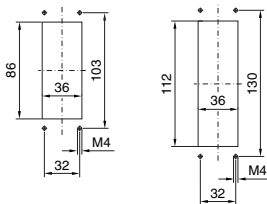
Frame: Polyamide
Flat seal: CR

Protection category:

IP 64 to EN 60 529; compliant with NEMA 12.

Supply includes:

Assembly parts.



16-pole

24-pole



Sealing module

To seal cables in conjunction with a sealing frame. It is possible to combine 20 x 20 mm and 40 x 40 mm sealing modules.

Material:

Hard shell: Polyamide
Seal: LSE 2

Protection category:

IP 64 to EN 60 529; compliant with NEMA 12.

For modules 20 x 20 mm	For cut-out	Packs of	Model No. SZ
10 modules	24-pole	1	2400.900
8 modules	16-pole	1	2400.910



Accessories:

Module plates for TS divider panels, see Catalogue 32, page 923.

Sealing modules 20 x 20 mm		
Diameter range	Packs of	Model No. SZ
4 – 6 mm	10	2400.920
6 – 9 mm	10	2400.930
solid	10.	2400.970

Sealing modules 40 x 40 mm		
Diameter range	Packs of	Model No. SZ
9 – 12 mm	10	2400.940
12 – 16 mm	10	2400.950
solid	10	2400.960