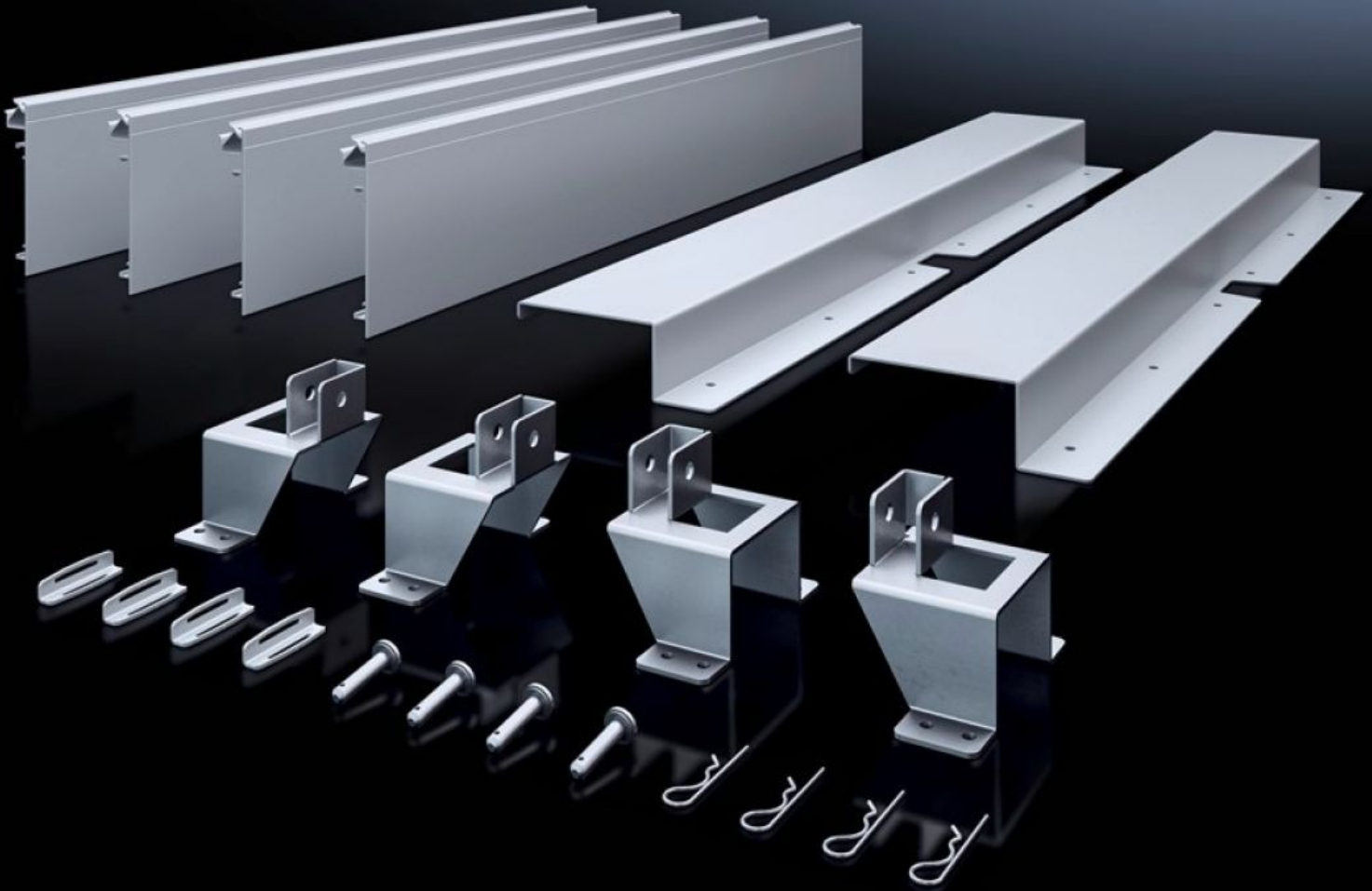


Rittal – The System.

Faster – better – everywhere.



SV 9666.912 ISV installation kit

State: 2/04/2026 (Source: rittal.com/au-en)

ENCLOSURES

POWER DISTRIBUTION

CLIMATE CONTROL

IT INFRASTRUCTURE

SOFTWARE & SERVICES

FRIEDHELM LOH GROUP



SV 9666.912 - ISV installation kit for VX

For mounting ISV installation modules in VX enclosures.



Features

Model No.	SV 9666.912
Product description	For mounting ISV installation modules in the enclosure.
Material	Mounting frame holder: Sheet steel, zinc-plated Contact hazard protection: Sheet steel, spray-finished Contact hazard protection, sides: PVC
Supply includes	Mounting aid support Contact hazard protection Assembly parts
Size	Width units (WU) @ 250 mm: 3 Height units (U) @ 150 mm: 12
To fit Model No.	9666.916 9666.956
Note on Model No.	Mounting angle 9666.712 and mounting plate 8612.400 are additionally required
To fit	Width: 850 mm Height: 2,000 mm Depth: 400 mm 600 mm
Packs of	1 pc(s).
Net weight	8 kg
Gross weight	8.5 kg

Features

Customs tariff number	83024900
ETIM 9	EC002270
ECLASS 8.0	27400613
Product description	VX Installation kit (ISV), 3 width units WU (750 mm), 12 U (1800 mm), (WH: 850x2000 mm)

Approvals

Explanations	Declaration of conformity UK
--------------	------------------------------