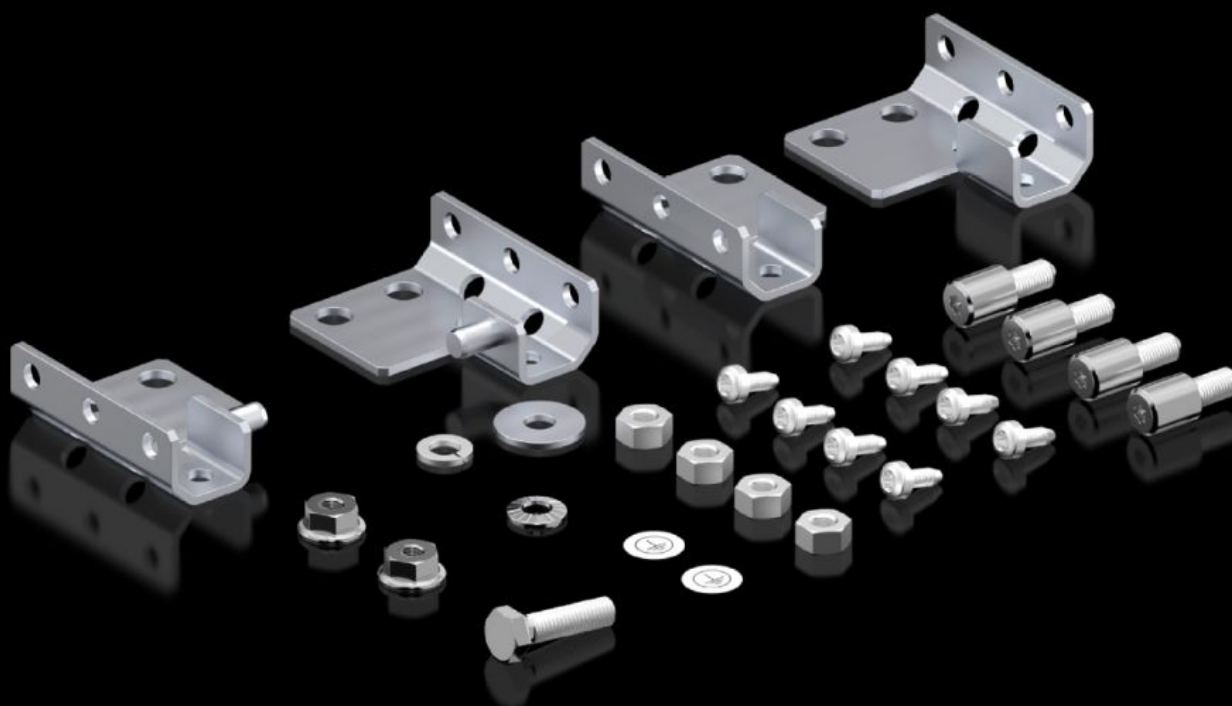
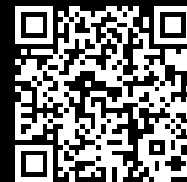


# Rittal – The System.

Faster – better – everywhere.



## TS 5050.511

# Toebehoren deelmontageplaat

Staat: 10.06.2026 (Bron: [rittal.com/be-nl](http://rittal.com/be-nl))

ENCLOSURES

POWER DISTRIBUTION

CLIMATE CONTROL

IT INFRASTRUCTURE

SOFTWARE & SERVICES

FRIEDHELM LOH GROUP



# TS 5050.511 - Toebehoren deelmontageplaat



## Funcities

Bestelnr.	TS 5050.511
Leveringseenheid	1 st.
Nettogewicht	0,46 kg
Brutogewicht	0,462 kg
Douanetariefnummer	83024900
ETIM 9	EC002625
ECLASS 8.0	27189234