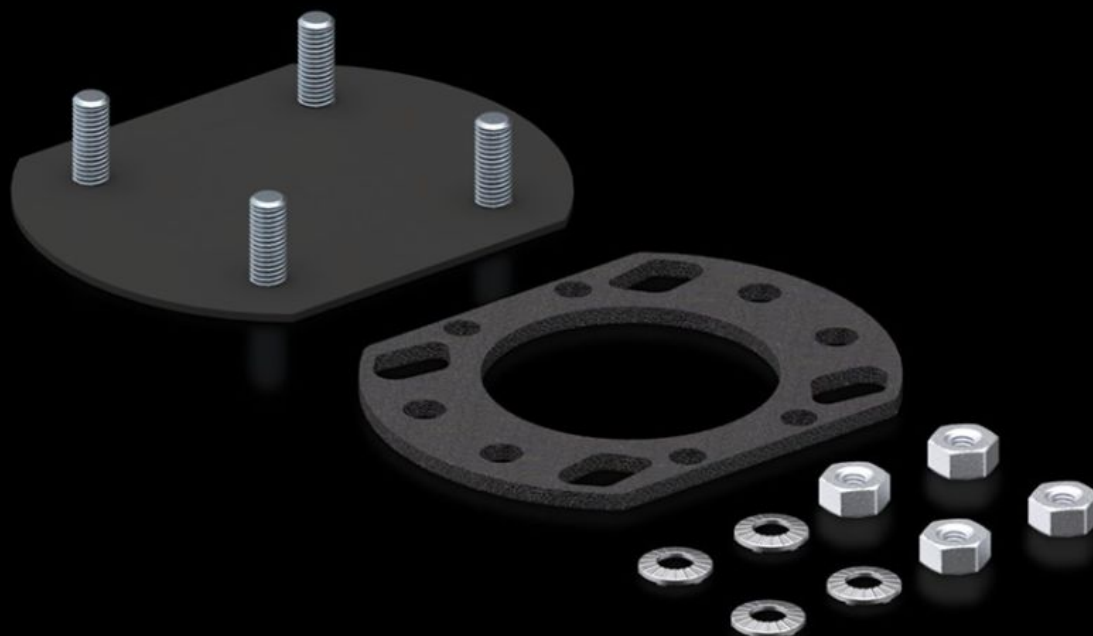


Rittal – The System.

Faster – better – everywhere.



CP 6505.200 Cover plate

State: 16.12.2025 (Source: rittal.com/bg-bg)

ENCLOSURES

POWER DISTRIBUTION

CLIMATE CONTROL

IT INFRASTRUCTURE

SOFTWARE & SERVICES

FRIEDHELM LOH GROUP



CP 6505.200 - Cover plate for support arm connection

Cover plates for round and rectangular support arm connections.

Features

| | |
|-------------------------------|--|
| Model No. | CP 6505.200 |
| Product description | For secure sealing of an unrequired support arm connection in the enclosure |
| Material | Sheet steel |
| Surface finish | Spray-finished |
| Colour | RAL 7024 |
| Supply includes | Seal and assembly parts |
| To fit support arm connection | rectangular 90 x 71 mm |
| Note | If there are already 2 support arm cut-outs provided with the Comfort Panel, Optipanel and Compact Panel command panels, a cover plate is included with the supply of the enclosure. |
| Packs of | 1 pc(s). |
| Net weight | 0.1 |
| Gross weight | 0.101 |
| PCF per pack (cradle-to-gate) | 0.5 kg CO2 eq (Cat B) |
| Note on PCF category | Category B: PCF value (cradle-to-gate) based on the product weight, approximately calculated and self-declared |
| Customs tariff number | 73269098 |
| EAN | 4028177389823 |
| ETIM 9 | EC000456 |
| ECLASS 8.0 | 27189263 |