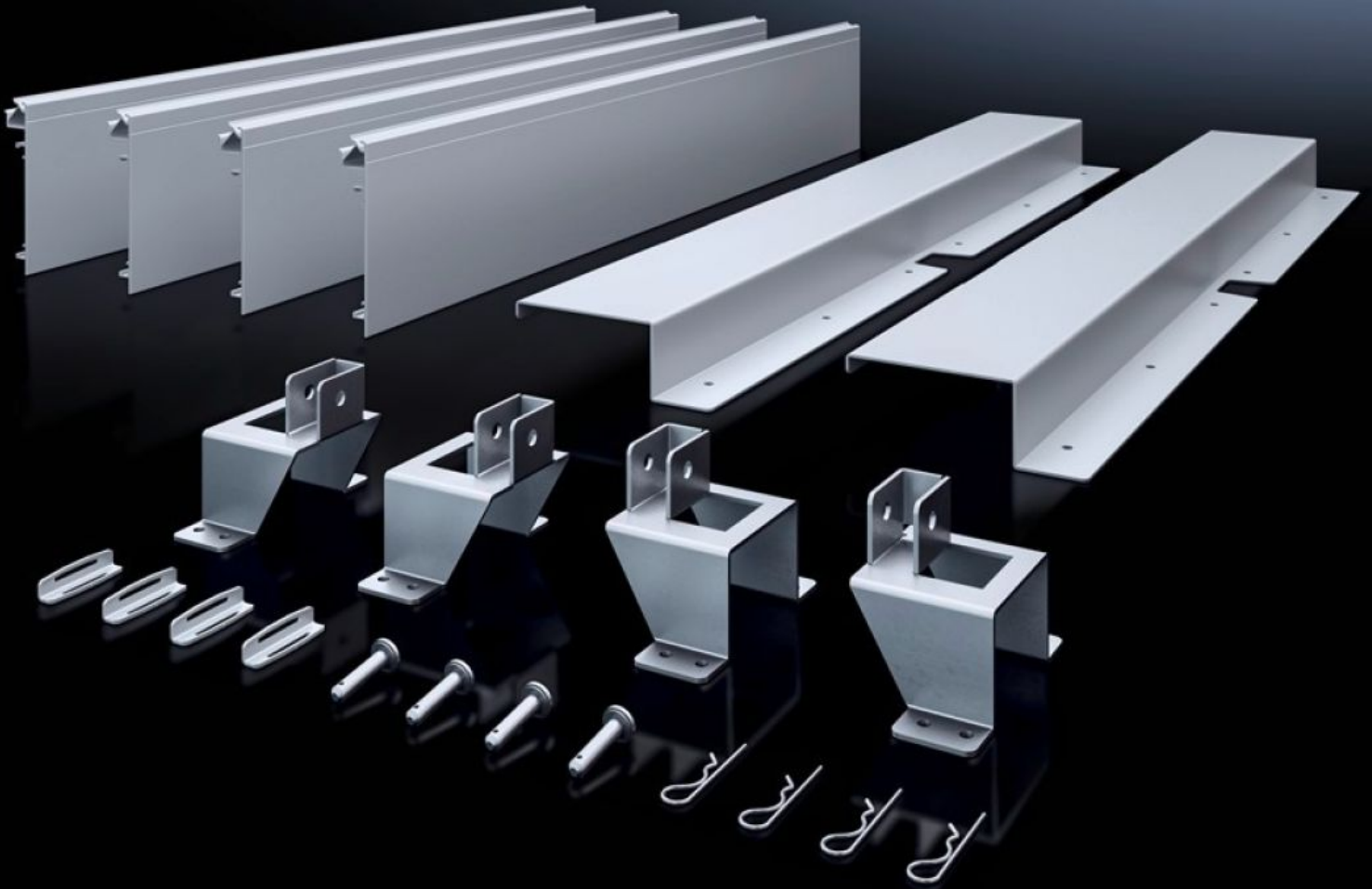
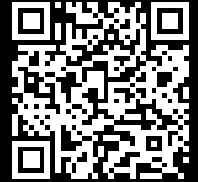


# Rittal – The System.

Faster – better – everywhere.



## SV 9666.912 ISV installation kit

State: 02.06.2026 (Source: [rittal.com/bg-bg](http://rittal.com/bg-bg))

ENCLOSURES

POWER DISTRIBUTION

CLIMATE CONTROL

IT INFRASTRUCTURE

SOFTWARE & SERVICES

FRIEDHELM LOH GROUP



# SV 9666.912 - ISV installation kit for VX

For mounting ISV installation modules in VX enclosures.



## Features

Model No.	SV 9666.912
Product description	For mounting ISV installation modules in the enclosure.
Material	Mounting frame holder: Sheet steel, zinc-plated Contact hazard protection: Sheet steel, spray-finished Contact hazard protection, sides: PVC
Supply includes	Mounting aid support Contact hazard protection Assembly parts
Size	Width units (WU) @ 250 mm: 3 Height units (U) @ 150 mm: 12
To fit Model No.	9666.916 9666.956
To fit	Width: 850 mm Height: 2,000 mm Depth: 400 mm 600 mm
Packs of	1 pc(s).
Net weight	8 kg
Gross weight	8,5 kg
Customs tariff number	83024900
ETIM 9	EC002270

# Features

---

ECLASS 8.0	27400613
Product description	ISV installation kit for VX, 3 WU (750 mm), 12 U (1800 mm), WxH: 850x2000 mm

---

# Approvals

---

Explanations	Declaration of conformity UK
--------------	------------------------------

---