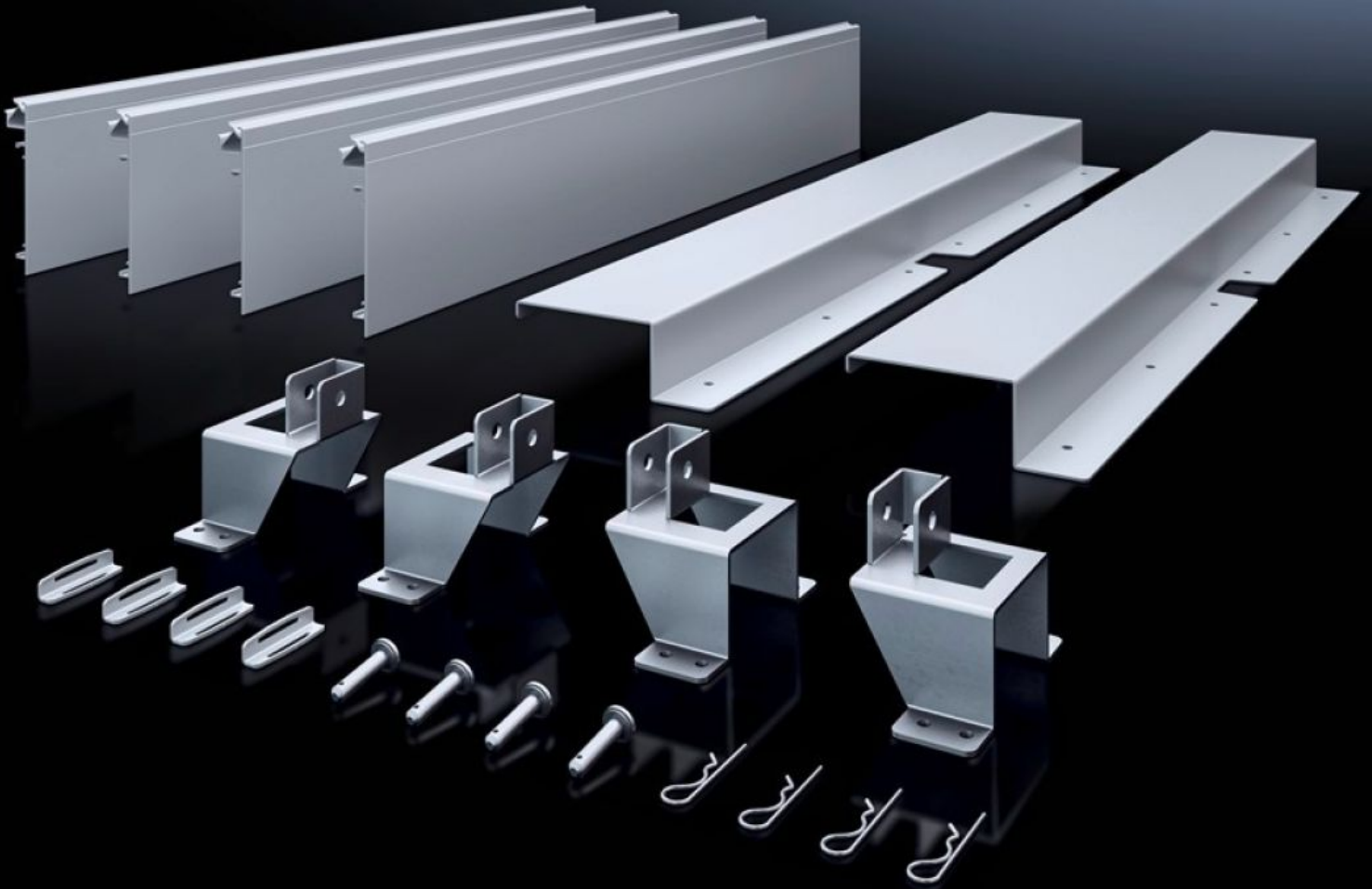


# Rittal – The System.

Faster – better – everywhere.



## SV 9666.922 ISV installation kit

State: 18.04.2026 (Source: [rittal.com/bg-bg](http://rittal.com/bg-bg))

ENCLOSURES

POWER DISTRIBUTION

CLIMATE CONTROL

IT INFRASTRUCTURE

SOFTWARE & SERVICES

FRIEDHELM LOH GROUP



# SV 9666.922 - ISV installation kit for VX

For mounting ISV installation modules in VX enclosures.



## Features

|                       |  |
|-----------------------|--|
| Model No.             | SV 9666.922  |
| Product description   | For mounting ISV installation modules in the enclosure.  |
| Material              | Mounting frame holder: Sheet steel, zinc-plated<br>Contact hazard protection: Sheet steel, spray-finished<br>Contact hazard protection, sides: PVC |
| Supply includes       | Mounting aid support<br>Contact hazard protection<br>Assembly parts  |
| Size                  | Width units (WU) @ 250 mm: 4<br>Height units (U) @ 150 mm: 12  |
| To fit Model No.      | 9666.926<br>9666.966   |
| To fit                | Width: 1,100 mm<br>Height: 2,000 mm<br>Depth: 400 mm<br>600 mm   |
| Packs of              | 1 pc(s).   |
| Net weight            | 9,5 kg   |
| Gross weight          | 9,92 kg  |
| Customs tariff number | 83024900   |
| ETIM 9                | EC002270   |

# Features

---

|                     |   |
|---------------------|---|
| ECLASS 8.0          | 27400613  |
| Product description | VX Installation kit (ISV), 4 width units WU (1000 mm), 12 U (1800 mm), (WH: 1100x2000 mm) |

---

# Approvals

---

|              |                              |
|--------------|------------------------------|
| Explanations | Declaration of conformity UK |
|--------------|------------------------------|

---