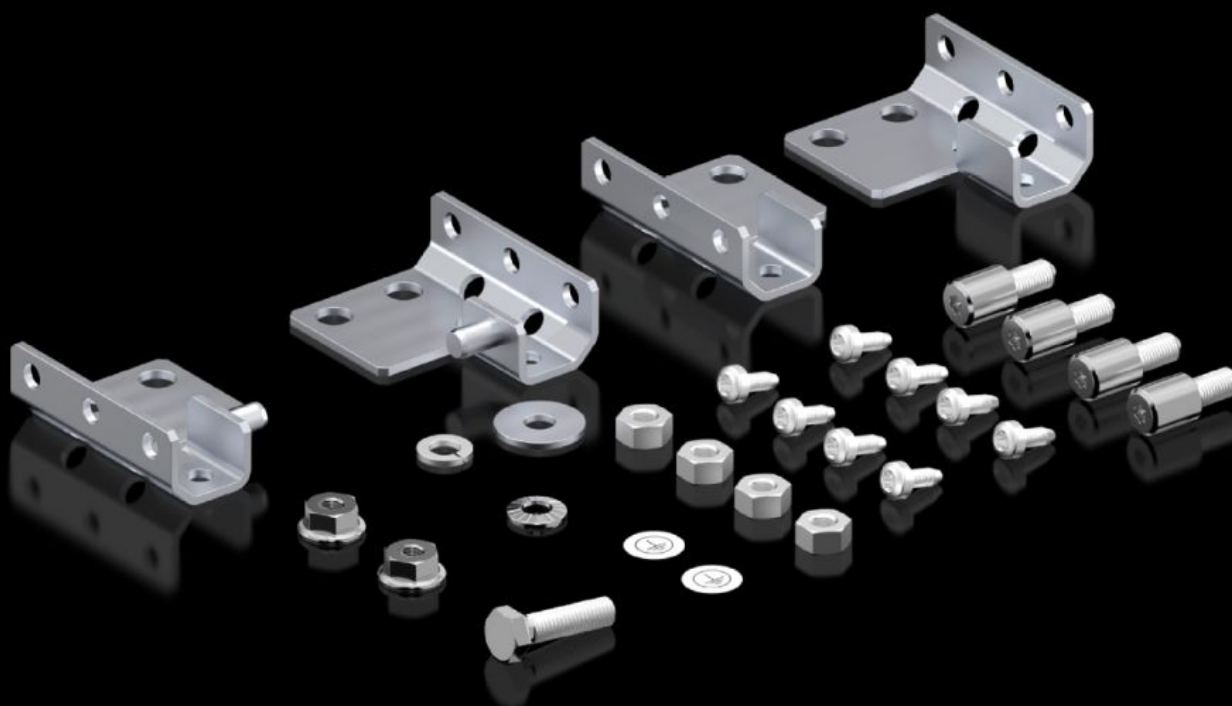


Rittal – The System.

Faster – better – everywhere.



TS 5050.511 分装板附件包

状态: 2026-5-23 (来源: rittal.com/cn-zh)

ENCLOSURES

POWER DISTRIBUTION

CLIMATE CONTROL

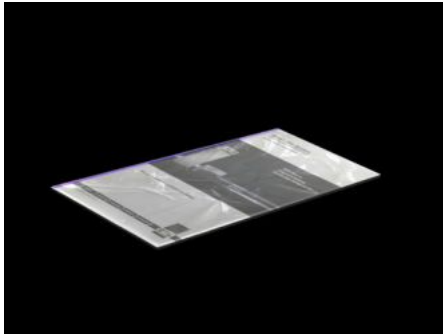
IT INFRASTRUCTURE

SOFTWARE & SERVICES

FRIEDHELM LOH GROUP



TS 5050.511 - 分装板附件包



特征

型号	TS 5050.511
包装单元	1 件
净重	0.46 kg
毛重	0.462 kg
税率号	83024900
ETIM 9	EC002625
ECLASS 8.0	27189234