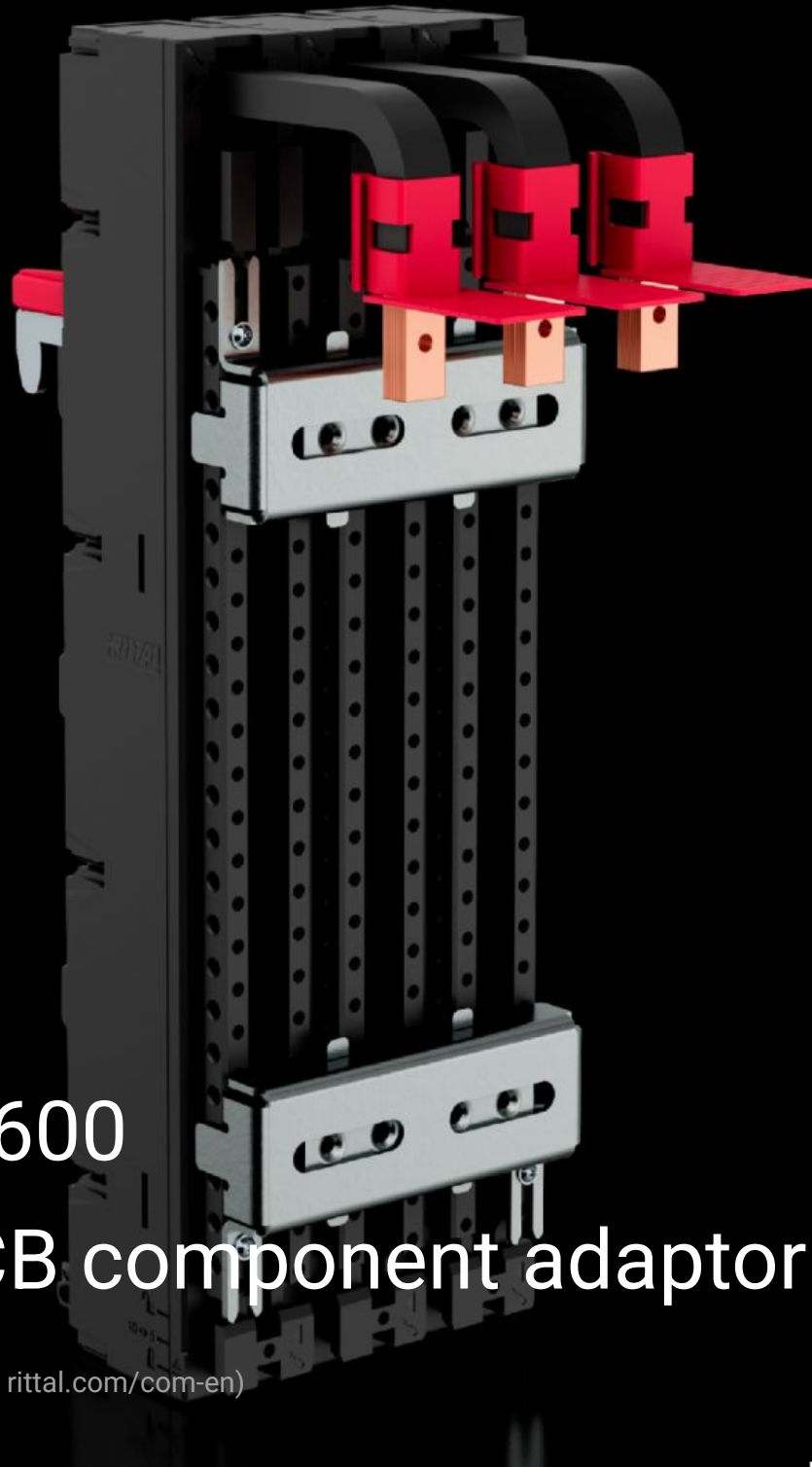


Rittal – The System.

Faster – better – everywhere.



RX 9360.600

RiLineX CB component adaptor

State: 09/06/2026 (Source: rittal.com/com-en)

ENCLOSURES

POWER DISTRIBUTION

CLIMATE CONTROL

IT INFRASTRUCTURE

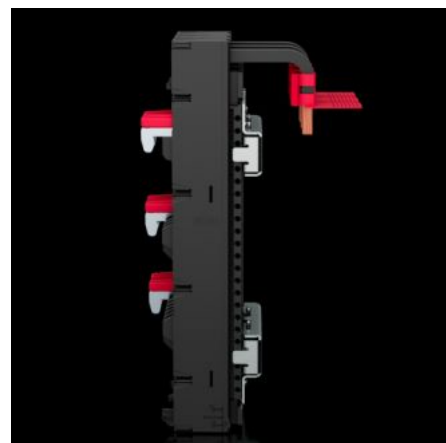
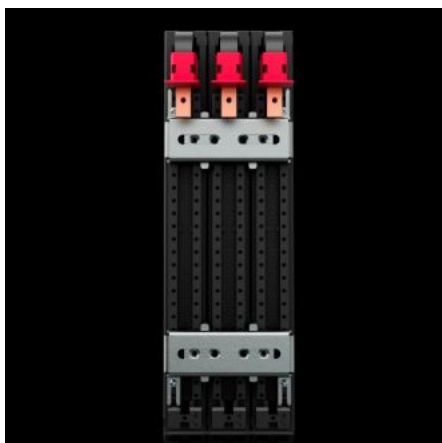
SOFTWARE & SERVICES

FRIEDHELM LOH GROUP



RX 9360.600 - RiLineX CB component adaptor

RiLineX CB component adaptor (3-pole, max. 160 A) for 60 mm busbar systems. The device width is 81 mm. The "Universal" variant with U nuts offers maximum flexibility for switch mounting. The adaptor features tool-free snap-on mounting with semi-automatic adjustment of the bar thickness between 5 and 10 mm. Version for cable outlet at the bottom.



Features

Model No.	RX 9360.600
Design	universal
Benefits	Direct mounting of moulded-case circuit-breakers (MCCBs) on the board Snap-on mounting up to 250 A and simple adjustment to busbar thickness 5/10 mm Fast, simple pre-assembly of standard market switch types outside of the enclosure
Material	Polyamide (PA 6) Fire protection corresponding to UL 94
Colour	RAL 9005 RAL 35745
Supply includes	3 connection space covers
IP protection category to IEC 60 529	IP 2XB
Rated impulse withstand voltage Uimp	8 kV

Features

Rated voltage	690 V AC 600 V AC (UL)
Rated insulation voltage U_i	1,000 V
Contamination level	3
Number of poles	3-pole
Cable outlet	Bottom
Cross-section	9 mm ² 6 mm ²
To fit manufacturer (model)	Our selection aid, available in the Downloads section, helps you to easily find a matching component adaptor.
To fit busbar system	RiLineX RiLine60
Fundamental frequency	50...60 Hz
Ambient humidity (non-condensing)	10...90 %
To fit busbars	15 x 5/10 20 x 5/10 30 x 5/10
Operating temperature range	-25 °C...55 °C
Storage temperature range	-25 °C...75 °C
Dimensions	Width: 81.9 mm Height: 251.4 mm Depth: 50.8 mm
Packs of	1 pc(s).
Net weight	0.92 kg
Gross weight	1.22 kg
Copper weight (kg per piece)	0.375
PCF per pack (cradle-to-gate)	12.73
Customs tariff number	85369095
ETIM 9	EC001531

Features

Product description	RiLineX CB component adaptor (3-pole, max. 160 A) for 60 mm busbar systems. The device width is 81 mm. The "Universal" variant with U nuts offers maximum flexibility for switch mounting. The adaptor features tool-free snap-on mounting. Version for cable outlet at the bottom.
---------------------	---

Approvals

Approvals	UL + C-UL (listed)
Explanations	Declaration of conformity PCF-declaration

Tender text

RiLineX CB component adaptor (Universal Fix)

RiLineX CB component adaptor
for 60 mm busbar systems.

Fastening is carried out using u-nuts in
the two adjustable support rails.

For voltages up to 690 V AC and 690 V DC.

IEC and UL approved.

Product information

Number of poles: 3

Busbar dimensions: 15/20/30 mm x 5/10 mm

Rated current: 160 A

Connection: 54 mm²

Cable outlet: bottom

Dimensions: 82 mm x 251 mm x 51 mm (WxHxD)

Manufacturer: Rittal GmbH & Co. KG

Type: 9360600