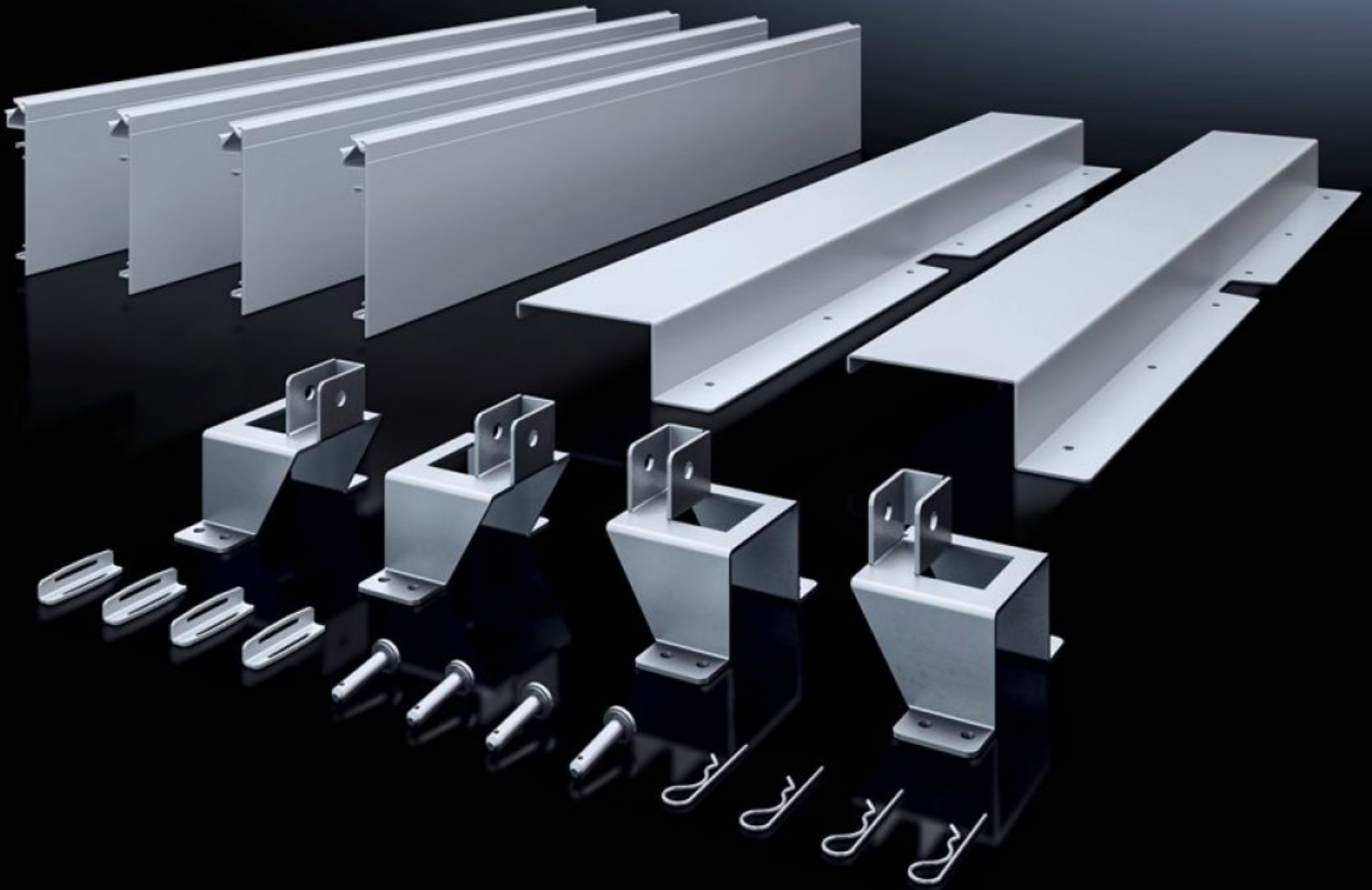


Rittal – The System.

Faster – better – everywhere.



SV 9666.902 ISV installation kit

State: 08/07/2026 (Source: rittal.com/com-en)

ENCLOSURES

POWER DISTRIBUTION

CLIMATE CONTROL

IT INFRASTRUCTURE

SOFTWARE & SERVICES

FRIEDHELM LOH GROUP



SV 9666.902 - ISV installation kit for VX

For mounting ISV installation modules in VX enclosures.



Features

Model No.	SV 9666.902
Product description	For mounting ISV installation modules in the enclosure.
Material	Mounting frame holder: Sheet steel, zinc-plated Contact hazard protection: Sheet steel, spray-finished Contact hazard protection, sides: PVC
Supply includes	Mounting aid support Contact hazard protection Assembly parts
Size	Width units (WU) @ 250 mm: 2 Height units (U) @ 150 mm: 12
To fit Model No.	8452.000 8604.000 8606.000
To fit	Enclosure type: VX Width: 600 mm Height: 2,000 mm Depth: 400 mm 500 mm 600 mm
Packs of	1 pc(s).
Net weight	6.7 kg
Gross weight	7.4 kg

Features

Customs tariff number	83024900
ETIM 9	EC002270
ECLASS 8.0	27400613
Product description	ISV installation kit for VX, 2 WU (500 mm), 12 U (1800 mm), WxH: 600x2000 mm
