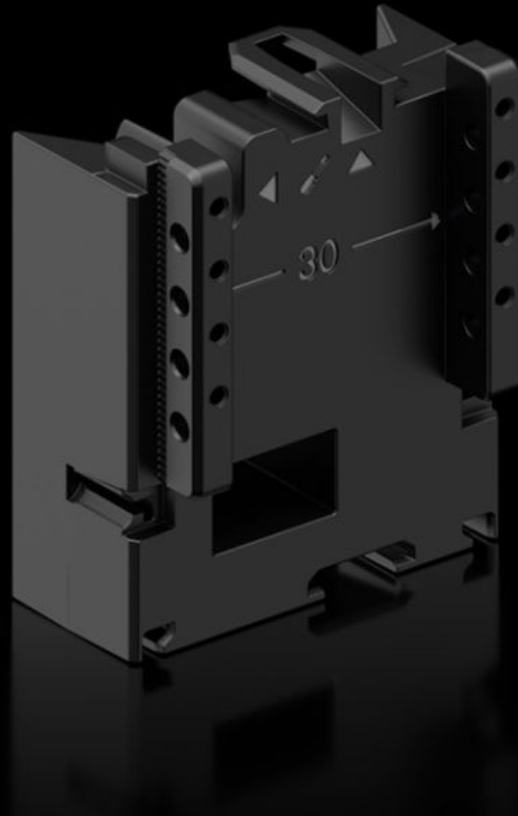


Rittal – The System.

Faster – better – everywhere.



RX 9365.751

RiLineX expansion block

State: 21/05/2026 (Source: rittal.com/gr-en)

ENCLOSURES

POWER DISTRIBUTION

CLIMATE CONTROL

IT INFRASTRUCTURE

SOFTWARE & SERVICES

FRIEDHELM LOH GROUP



RX 9365.751 - RiLineX expansion block for component adaptors and component supports

RiLineX extension block, width 54 mm, to extend the component adaptor by 60 mm for busbar systems.



Features

Model No.	RX 9365.751
Material	Polyamide (PA 6) Fire protection corresponding to UL 94
Colour	RAL 9005
To fit Model No.	9360.740 9360.760 9360.780 9360.707
Dimensions	Width: 54 mm Height: 60 mm
Packs of	8 pc(s).
Net weight	0.248 kg
Gross weight	0.279 kg
Customs tariff number	39269097
ETIM 9	EC002270

Features

Product description

RiLineX extension block, width 54 mm, to extend the component adaptor by 60 mm for busbar systems.

Approvals

Explanations

Declaration of conformity
PCF-declaration