

Rittal – The System.

Faster – better – everywhere.



TS 4199.000 Bracket/spacer

State: 23/05/2026 (Source: rittal.com/ie-en)

ENCLOSURES

POWER DISTRIBUTION

CLIMATE CONTROL

IT INFRASTRUCTURE

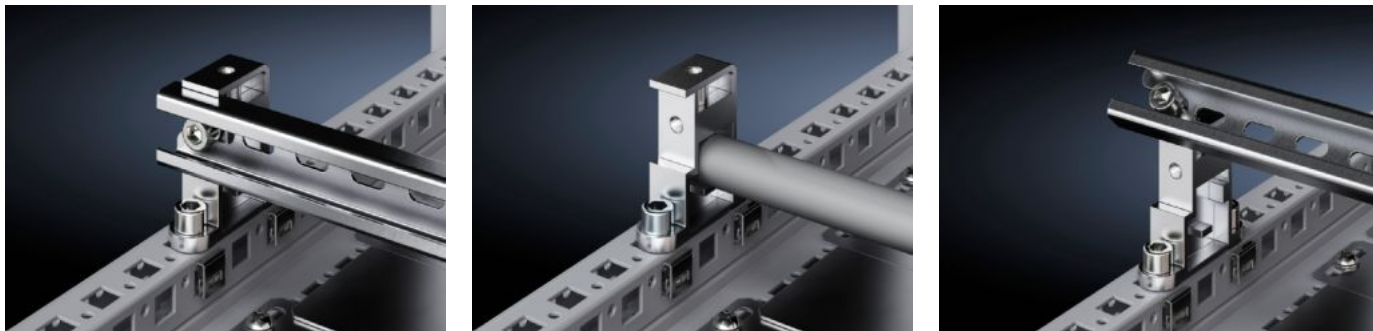
SOFTWARE & SERVICES

FRIEDHELM LOH GROUP



TS 4199.000 - Bracket/spacer

For flexible attachment of C rails, support rails or cable clamp rails (angle piece). On the sides, to accommodate square sections or tubes (\varnothing 20 mm). Attachment points with M8 thread.



Features

Model No.	TS 4199.000
Product description	For flexible attachment of C rails, punched rails or cable clamp rails (angle piece). On the sides, to accommodate square sections or tubes (\varnothing 20 mm). Attachment points with M8 thread.
Material	Die-cast zinc
Supply includes	1 pc(s). = 1 bracket/spacer, 2 screws M8 x 16 mm, 2 spring lock washers, 2 cage nuts M8, 2 metal screws
Installation options	On the horizontal and vertical VX enclosure section On the punched sections with mounting flanges for the inner mounting level On the vertical TS, VX SE enclosure section via snap-on nuts TS 8800.806 or adaptor rails for VX compatibility On the horizontal TS enclosure section On the horizontal VX SE enclosure section, bottom On the horizontal VX SE enclosure section, top in the depth On enclosures and rails with rectangular system punching 12.5 x 11 mm
Note	In VX SE, on the enclosure section in conjunction with VX adaptor rail
To fit enclosure type	VX TS VX SE

Features

Packs of	6 pc(s).
Net weight	1.02 kg
Gross weight	1.107 kg
Customs tariff number	73269098
ETIM 9	EC002625
ETIM 8	EC002625
ECLASS 8.0	27189234
Product description	TS Bracket/spacer