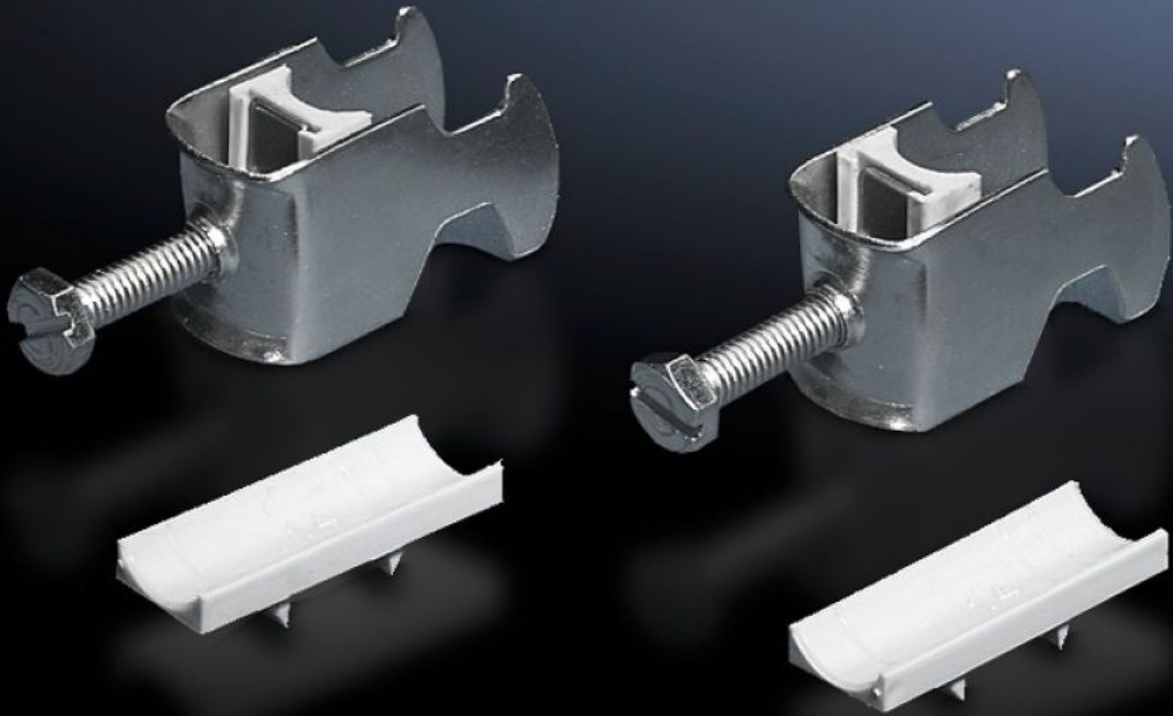


# Rittal – The System.

Faster – better – everywhere.



## DK 7099.000

## Cable clip

State: 10/07/2026 (Source: [rittal.com/ie-en](http://rittal.com/ie-en))

ENCLOSURES

POWER DISTRIBUTION

CLIMATE CONTROL

IT INFRASTRUCTURE

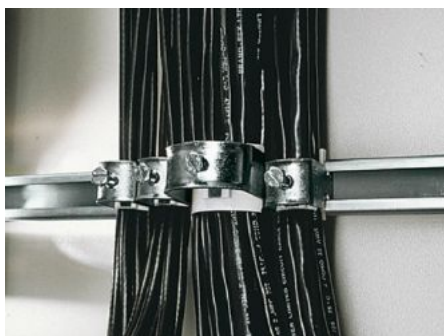
SOFTWARE & SERVICES

FRIEDHELM LOH GROUP



# DK 7099.000 - Cable clip for C rail, combination rail

For attaching cables to the C rail.



## Features

Model No.	DK 7099.000
Design	for cable diameter 56 – 64 mm
Product description	For attaching cables to the C rail.
Material	Sheet steel
Surface finish	Zinc-plated
Supply includes	Plastic insert
Min. cable diameter	56 mm
Max. cable diameter	64 mm
Packs of	25 pc(s).
Net weight	3.125 kg
Gross weight	3.461 kg
PCF per pack (cradle-to-gate)	13.1 kg CO2 eq (Cat B)
Note on PCF category	Category B: PCF value (cradle-to-gate) based on the product weight, approximately calculated and self-declared
Customs tariff number	73182900
ETIM 9	EC000454
ETIM 8	EC000127
ECLASS 8.0	23140202

# Features

---

Product description

DK Cable clamps, for cable diameter: Ø: 56 - 64 mm

## Tender text

Cable clamps 56 - 64 mm

For attaching cables to C rails. For cable diameter 56 - 64 mm.

Material: sheet steel, zinc-plated, passivated, with plastic insert.