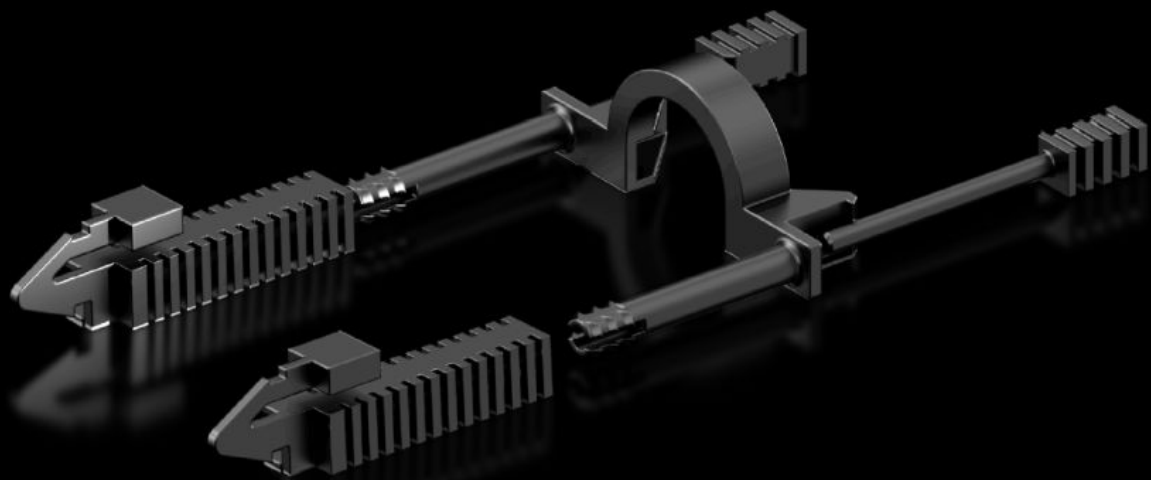


# Rittal – The System.

Faster – better – everywhere.



## DK 7979.020 Connector lock

State: 21/05/2026 (Source: [rittal.com/ie-en](http://rittal.com/ie-en))

ENCLOSURES

POWER DISTRIBUTION

CLIMATE CONTROL

IT INFRASTRUCTURE

SOFTWARE & SERVICES

FRIEDHELM LOH GROUP



# DK 7979.020 - Connector lock for C14 and C20 connectors

Connector locks C14 and C20 are protected against accidental removal

## Features

|                       |  |
|-----------------------|--|
| Model No.             | DK 7979.020  |
| Design                | for C14 and C20 connectors   |
| Product description   | The universal lock can be used to latch IEC 60 320 C14 or C20 connectors in place to prevent accidental removal. Latching is adjustable and adapts to standard connector forms. This creates a reliable manufacturer-independent connection for most connection cables commonly available on the market. |
| Material              | Plastic (PA 12)  |
| Colour                | RAL 9005   |
| Packs of              | 20 pc(s).  |
| Net weight            | 0.06 kg  |
| Gross weight          | 0.084 kg   |
| Customs tariff number | 39269097   |
| ETIM 9                | EC000330   |
| ECLASS 8.0            | 27142604   |
| Product description   | DK connector lock, for locking IEC 60 320 C14/C20 connectors, for PDU/PSM modules with C13/C19 slots, adjustable, RAL 9005   |