

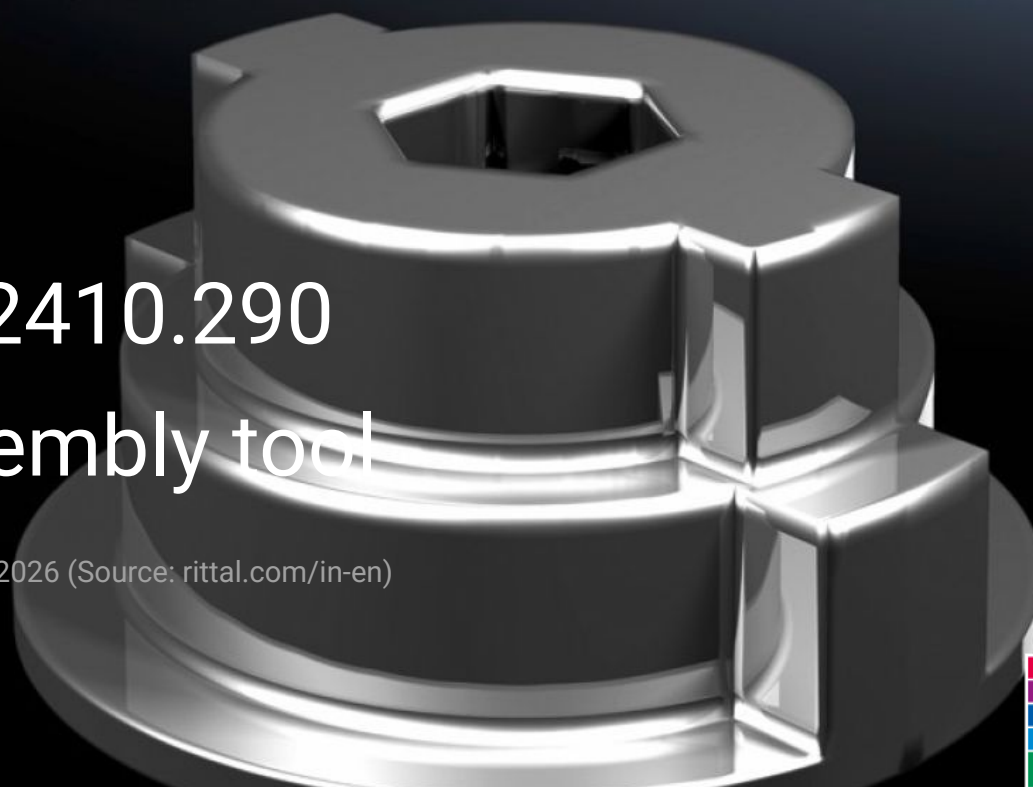
Rittal – The System.

Faster – better – everywhere.



HD 2410.290 Assembly tool

State: 23/5/2026 (Source: rittal.com/in-en)



ENCLOSURES

POWER DISTRIBUTION

CLIMATE CONTROL

IT INFRASTRUCTURE

SOFTWARE & SERVICES



FRIEDHELM LOH GROUP

HD 2410.290 - Assembly tool for HD cable glands

For attaching HD cable glands in an internal thread or using lock nuts. This can be achieved either from the inside or from the outside using an Allen key.

Features

Model No.	HD 2410.290
Product description	For attaching HD cable glands in an internal thread or using lock nuts. This can be achieved either from the inside or from the outside using an Allen key.
Supply includes	Adaptor for M12 – M25 sizes
Packs of	1 pc(s).
Net weight	0.03 kg
Gross weight	0.032 kg
Customs tariff number	73181900
ETIM 9	EC000441
ETIM 8	EC000441
ECLASS 8.0	27149109
Product description	HD Assembly tool, for HD cablegland