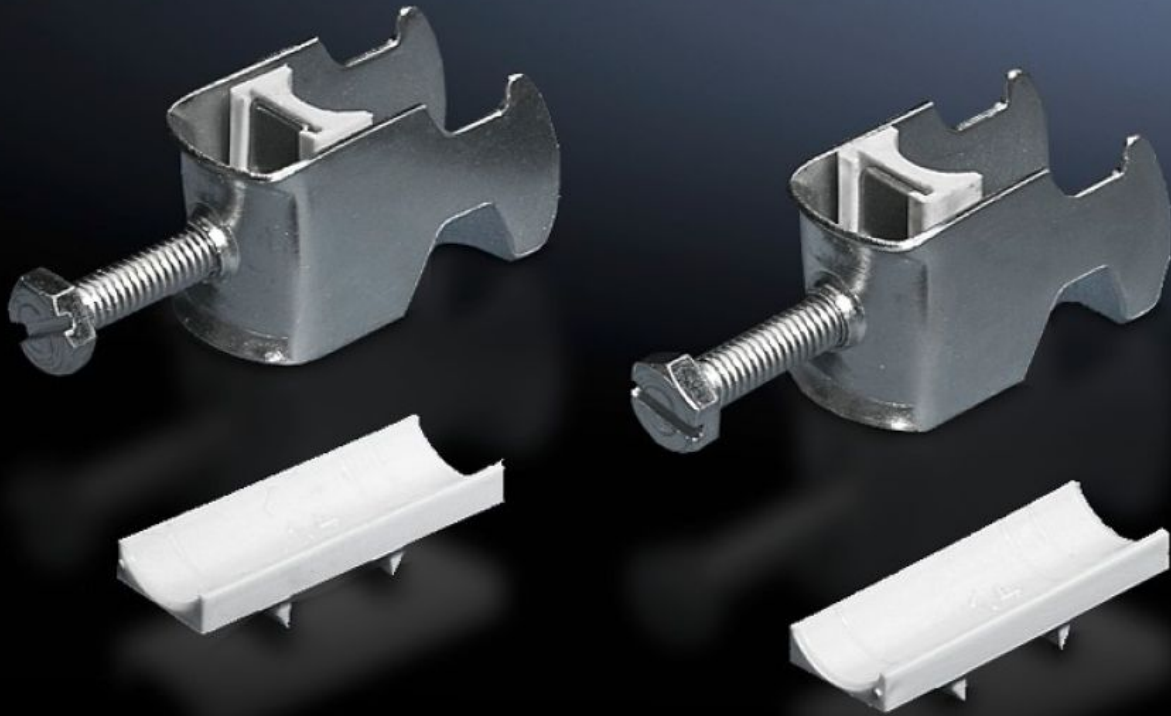


Rittal – The System.

Faster – better – everywhere.



DK 7098.000

Cable clip

State: 3/10/2025 (Source: rittal.com/in-en)

ENCLOSURES

POWER DISTRIBUTION

CLIMATE CONTROL

IT INFRASTRUCTURE

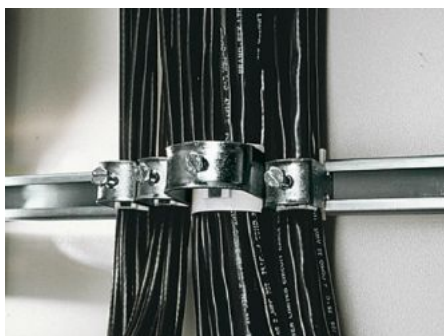
SOFTWARE & SERVICES

FRIEDHELM LOH GROUP



DK 7098.000 - Cable clip for C rail, combination rail

For attaching cables to the C rail.



Features

Model No.	DK 7098.000
Design	for cable diameter 38 – 42 mm
Product description	For attaching cables to the C rail.
Material	Sheet steel
Surface finish	Zinc-plated
Supply includes	Plastic insert
Min. cable diameter	38 mm
Max. cable diameter	42 mm
Packs of	25 pc(s).
Net weight	2
Gross weight	2.006
PCF per pack (cradle-to-gate)	8.1 kg CO2 eq (Cat B)
Note on PCF category	Category B: PCF value (cradle-to-gate) based on the product weight, approximately calculated and self-declared
Customs tariff number	73182900
EAN	4028177124547
ETIM 9	EC000454
ETIM 8	EC000127

Features

ECLASS 8.0

23140202

Tender text

Cable clamps 38 - 42 mm

For attaching cables to C rails. For cable diameter 38 - 42 mm.

Material: sheet steel, zinc-plated, passivated, with plastic insert.