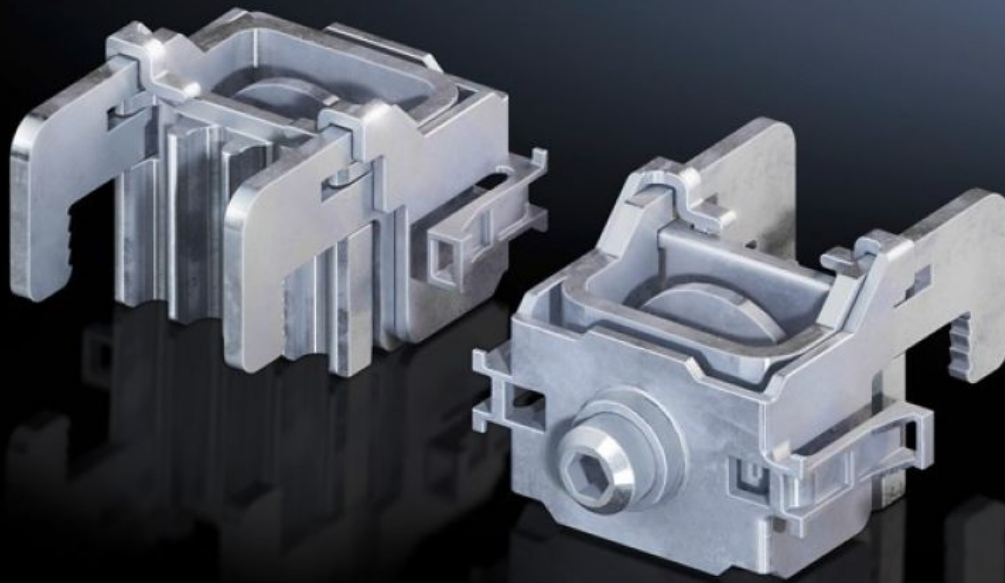


Rittal – The System.

Faster – better – everywhere.



SV 9677.460 Contact terminal

State: 3/4/2026 (Source: rittal.com/in-en)

ENCLOSURES

POWER DISTRIBUTION

CLIMATE CONTROL

IT INFRASTRUCTURE

SOFTWARE & SERVICES

FRIEDHELM LOH GROUP



SV 9677.460 - Contact terminal for NH slimline fuse-switch disconnectors/connection adaptors

For mounting components on busbar systems with 185 mm centre-to-centre spacing, no drilling required.

Features

Model No.	SV 9677.460
Product description	For mounting components on busbar systems with 185 mm centre-to-centre spacing, no drilling required.
Material	Sheet steel, zinc-plated E-Cu, tin-plated
For size	1 - 3 and connection adaptor
Note	Only suitable for use on busbar system with contact hazard protection cover (cover section, slotted)
Packs of	3 pc(s).
Net weight	0.36 kg
Gross weight	0.472 kg
Copper weight (kg per piece)	0.051
PCF per pack (cradle-to-gate)	1.7 kg CO2 eq (Cat B)
Note on PCF category	Category B: PCF value (cradle-to-gate) based on the product weight, approximately calculated and self-declared
Customs tariff number	73182900
ETIM 9	EC000001
ECLASS 8.0	27141146
Product description	SV Contact terminal, for NH slimline fuse-switch disconnector, size 1-3/connection adaptor, (SV 9677XXX)