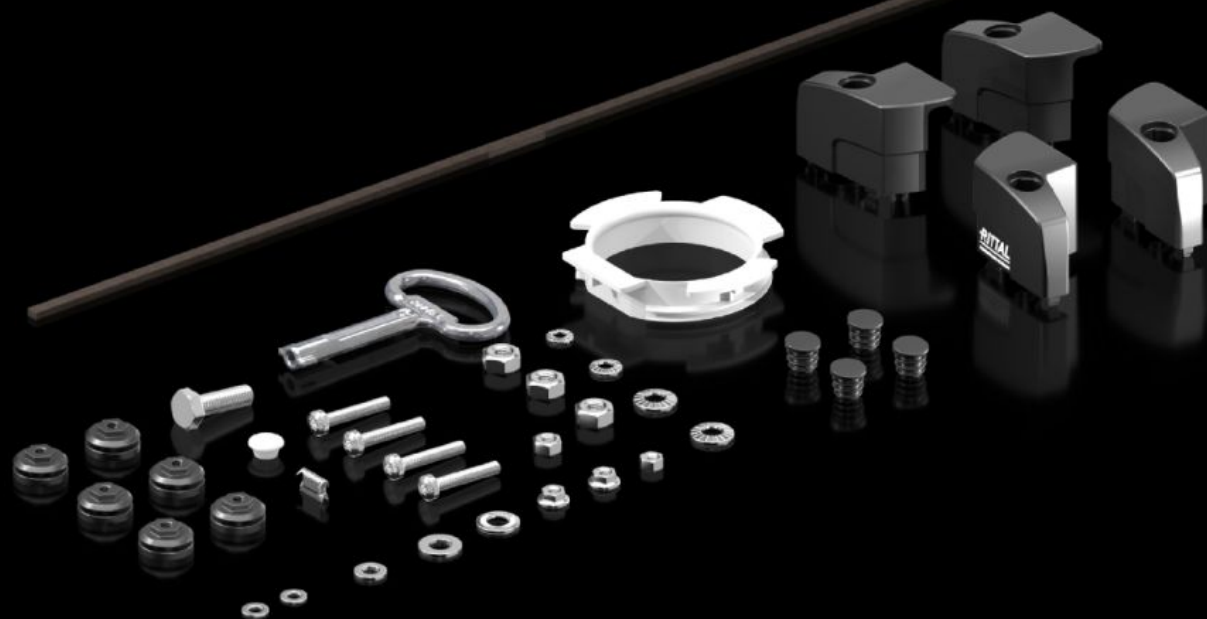


# Rittal – The System.

Faster – better – everywhere.



## AX 5050.706 Accessory bag

State: 2026.5.23 (Source: [rittal.com/lt-en](http://rittal.com/lt-en))

ENCLOSURES

POWER DISTRIBUTION

CLIMATE CONTROL

IT INFRASTRUCTURE

SOFTWARE & SERVICES

FRIEDHELM LOH GROUP



# AX 5050.706 - Accessory bag

## Features

Model No.	AX 5050.706
Packs of	1 pc(s).
Net weight	0.23 kg
Gross weight	0.24 kg
Customs tariff number	83024900