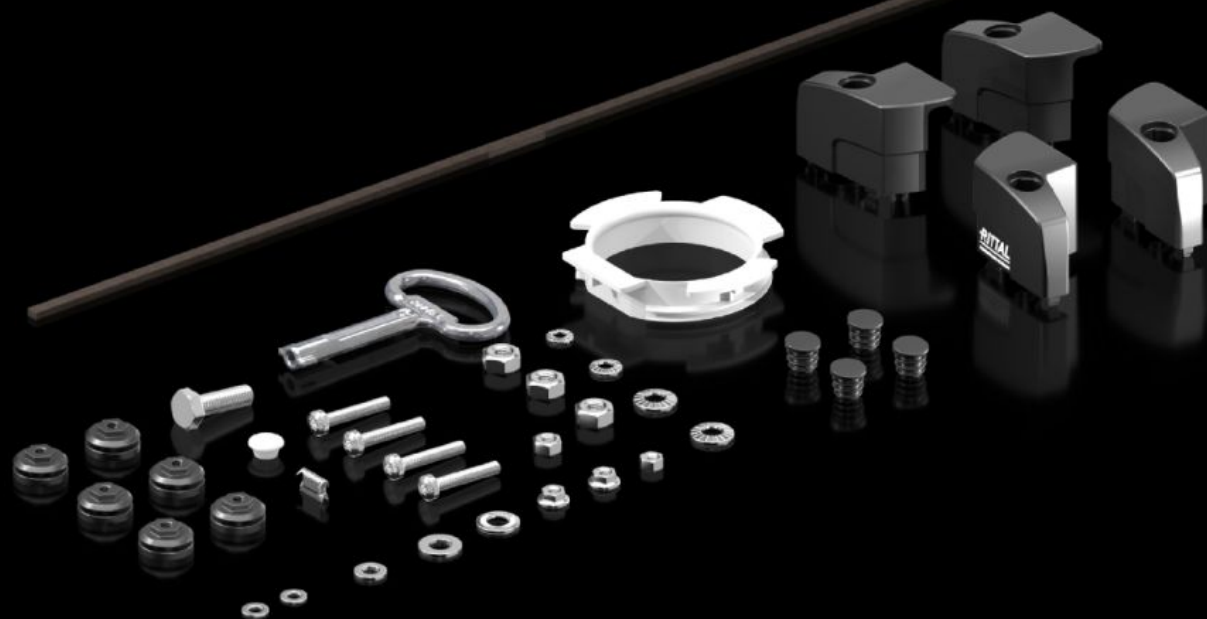


Rittal – The System.

Faster – better – everywhere.



AX 5050.706 Toebehorenzakje

Staat: 22-5-2026 (Bron: rittal.com/nl-nl)

ENCLOSURES

POWER DISTRIBUTION

CLIMATE CONTROL

IT INFRASTRUCTURE

SOFTWARE & SERVICES

FRIEDHELM LOH GROUP



AX 5050.706 - Toebehorenzakje

Functies

Bestelnr.	AX 5050.706
-----------	-------------

Leveringseenheid	1 st.
------------------	-------

Nettogewicht	0,23 kg
--------------	---------

Brutogewicht	0,24 kg
--------------	---------

Douanetariefnummer	83024900
--------------------	----------