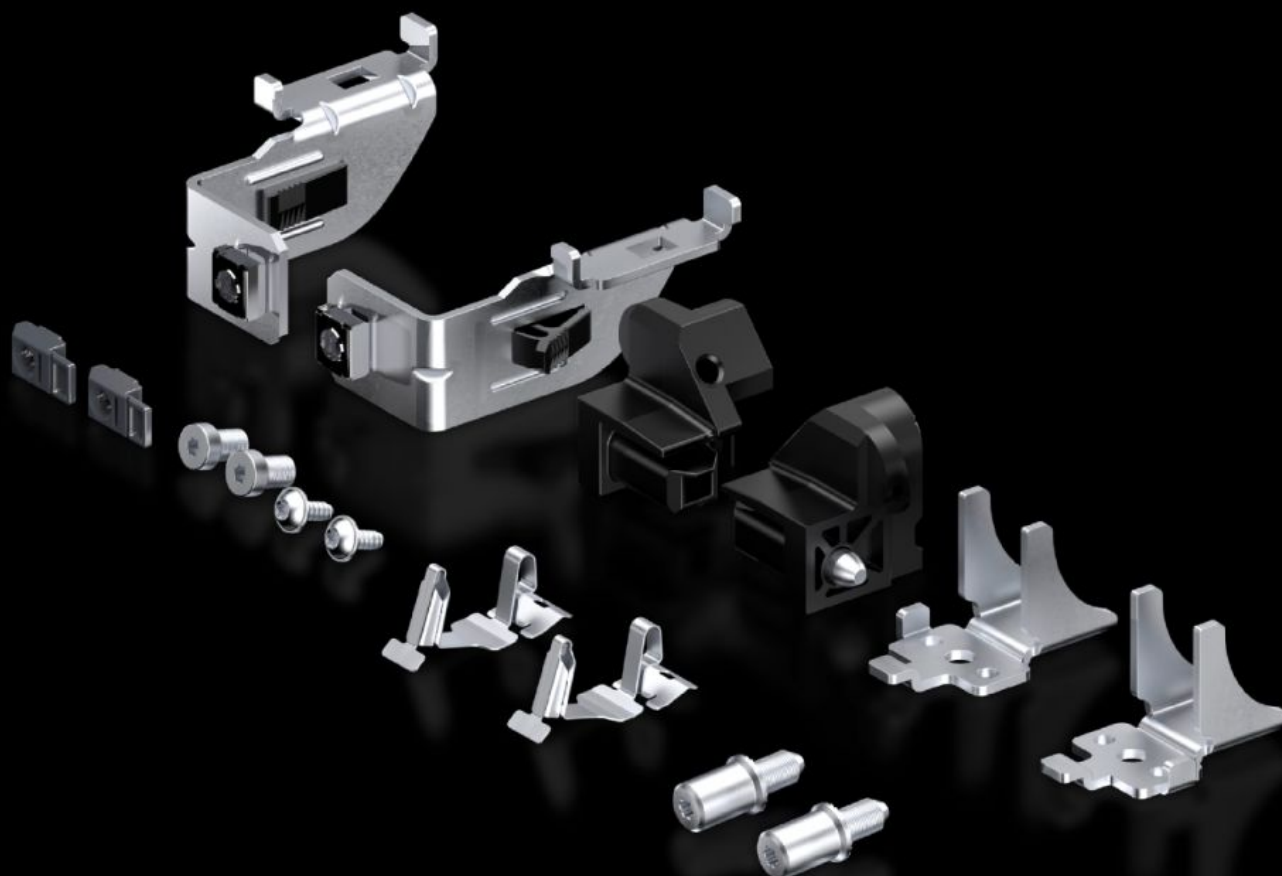


# Rittal – The System.

Faster – better – everywhere.



## TS 5050.063 Montasjeplatefeste

Stat: 05.04.2026 (Kilde: [rittal.com/no-no](http://rittal.com/no-no))

ENCLOSURES

POWER DISTRIBUTION

CLIMATE CONTROL

IT INFRASTRUCTURE

SOFTWARE & SERVICES

FRIEDHELM LOH GROUP



# TS 5050.063 - Montasjeplatefeste for TS

## Funksjoner

Art.nr	TS 5050.063
Pakkeenhet	1 stk.
Nettovekt	0,57 kg
Bruttovekt	0,58 kg
Tolltariffnummer	83024200
ETIM 9	EC000213
ETIM 8	EC000213
ECLASS 8.0	27409216