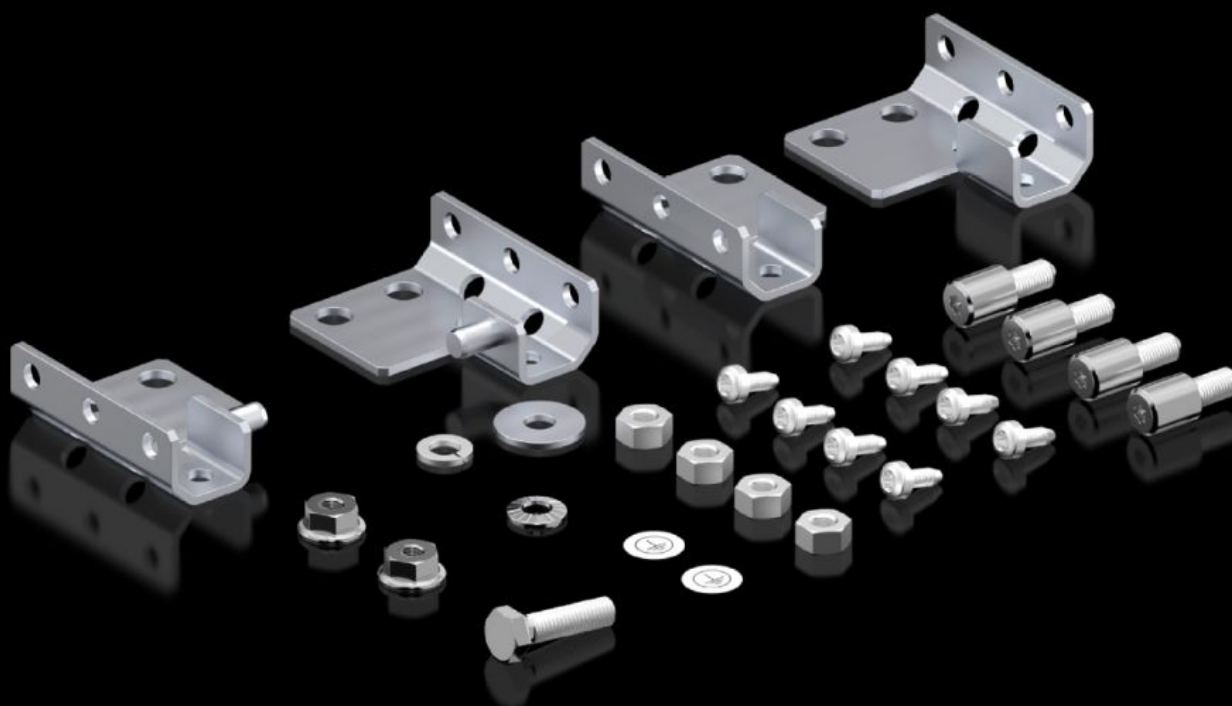


# Rittal – The System.

Faster – better – everywhere.



## TS 5050.511 Pose med tilbehør delmonteringsplate

Stat: 22.05.2026 (Kilde: [rittal.com/no-no](http://rittal.com/no-no))

ENCLOSURES

POWER DISTRIBUTION

CLIMATE CONTROL

IT INFRASTRUCTURE

SOFTWARE & SERVICES

FRIEDHELM LOH GROUP



# TS 5050.511 - Pose med tilbehør delmonteringsplate



## Funksjoner

Art.nr	TS 5050.511
Pakkeenhet	1 stk.
Nettovekt	0,46 kg
Bruttovekt	0,462 kg
Tolltariffnummer	83024900
ETIM 9	EC002625
ECLASS 8.0	27189234