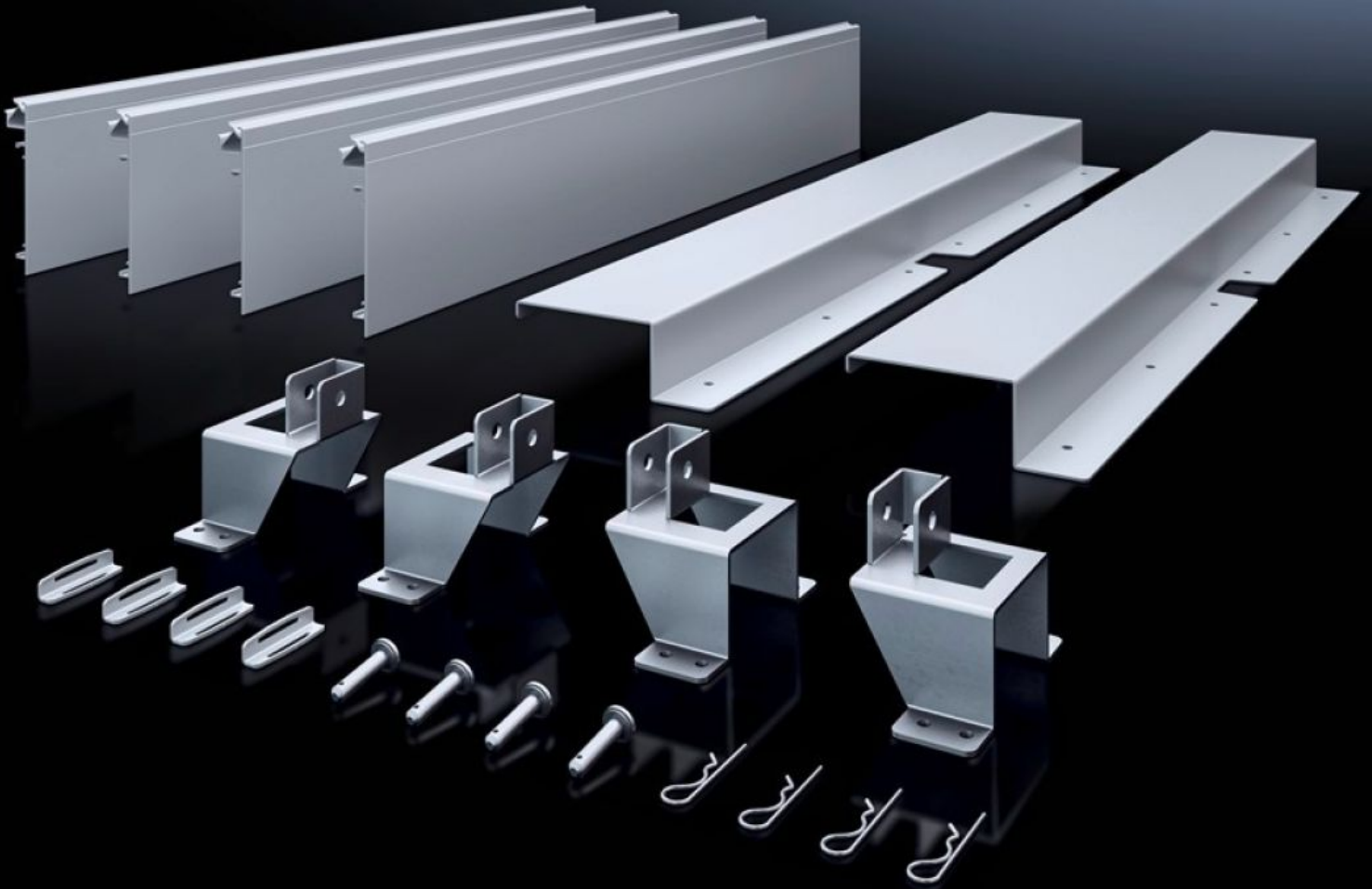


# Rittal – The System.

Faster – better – everywhere.



## SV 9666.902 ISV installation kit

State: 11/05/2026 (Source: [rittal.com/nz-en](http://rittal.com/nz-en))

ENCLOSURES

POWER DISTRIBUTION

CLIMATE CONTROL

IT INFRASTRUCTURE

SOFTWARE & SERVICES

FRIEDHELM LOH GROUP



# SV 9666.902 - ISV installation kit for VX

For mounting ISV installation modules in VX enclosures.



## Features

Model No.	SV 9666.902
Product description	For mounting ISV installation modules in the enclosure.
Material	Mounting frame holder: Sheet steel, zinc-plated Contact hazard protection: Sheet steel, spray-finished Contact hazard protection, sides: PVC
Supply includes	Mounting aid support Contact hazard protection Assembly parts
Size	Width units (WU) @ 250 mm: 2 Height units (U) @ 150 mm: 12
To fit Model No.	8452.000 8604.000 8606.000
To fit	Width: 600 mm Height: 2,000 mm Depth: 400 mm 500 mm 600 mm
Packs of	1 pc(s).
Net weight	6.7 kg
Gross weight	7.4 kg

# Features

---

Customs tariff number	83024900
ETIM 9	EC002270
ECLASS 8.0	27400613
Product description	ISV installation kit for VX, 2 WU (500 mm), 12 U (1800 mm), WxH: 600x2000 mm

# Approvals

---

Explanations	Declaration of conformity UK
--------------	------------------------------