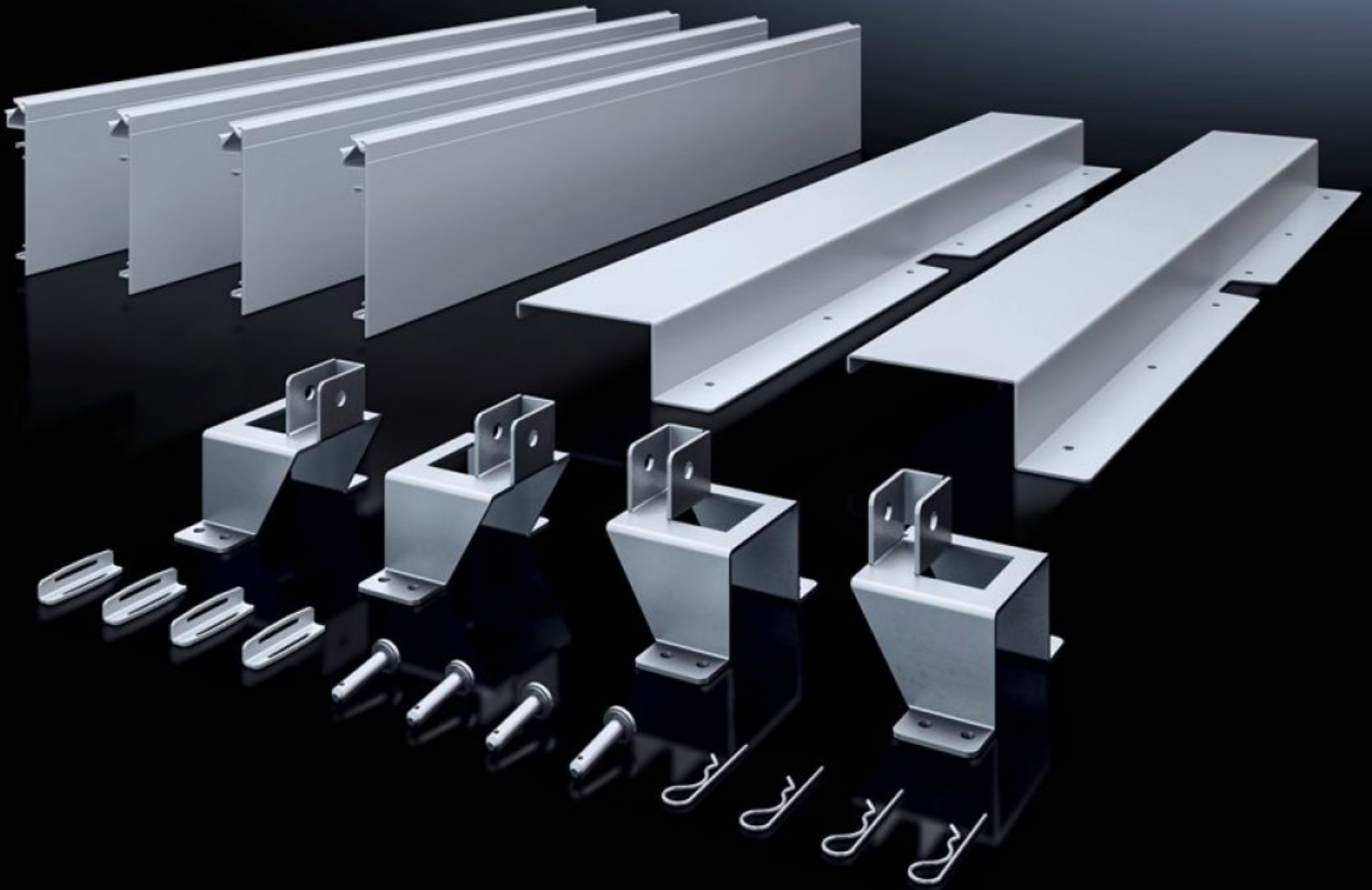


# Rittal – The System.

Faster – better – everywhere.



## SV 9666.932 ISV installation kit

State: 27/06/2026 (Source: [rittal.com/nz-en](http://rittal.com/nz-en))

ENCLOSURES

POWER DISTRIBUTION

CLIMATE CONTROL

IT INFRASTRUCTURE

SOFTWARE & SERVICES

FRIEDHELM LOH GROUP



# SV 9666.932 - ISV installation kit for VX

For mounting ISV installation modules in VX enclosures.



## Features

Model No.	SV 9666.932
Product description	For mounting ISV installation modules in the enclosure.
Material	Mounting frame holder: Sheet steel, zinc-plated Contact hazard protection: Sheet steel, spray-finished Contact hazard protection, sides: PVC
Supply includes	Mounting aid support Contact hazard protection Assembly parts
Size	Width units (WU) @ 250 mm: 2 Height units (U) @ 150 mm: 11
To fit Model No.	8457.000 8684.000 8685.000 8686.000
To fit	Enclosure type: VX Width: 600 mm Height: 1,800 mm Depth: 400 mm 500 mm 600 mm
Packs of	1 pc(s).
Net weight	6.6 kg

# Features

---

Gross weight	7 kg
Customs tariff number	83024900
ETIM 9	EC002270
ECLASS 8.0	27400613
Product description	ISV installation kit for VX, 2 WU (500 mm), 11 U (1650 mm), WxH: 600x1800 mm