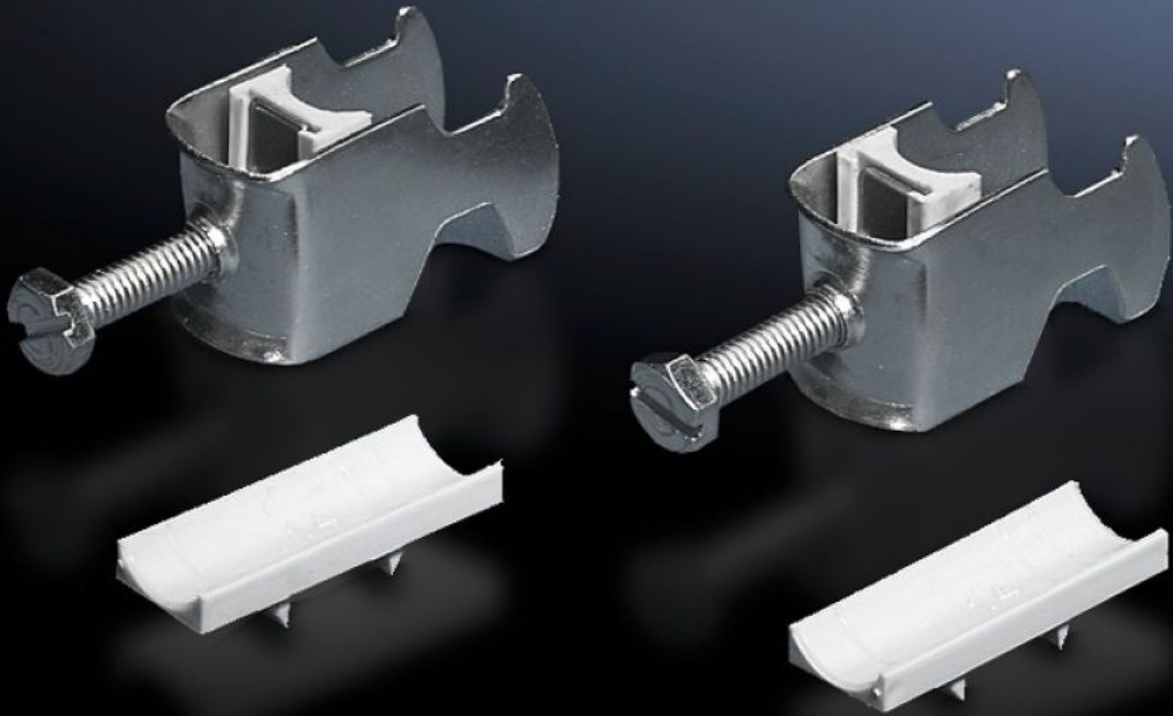


# Rittal – The System.

Faster – better – everywhere.



## DK 7097.000 Cable clip

State: 23/05/2026 (Source: [rittal.com/ro-ro](http://rittal.com/ro-ro))

ENCLOSURES

POWER DISTRIBUTION

CLIMATE CONTROL

IT INFRASTRUCTURE

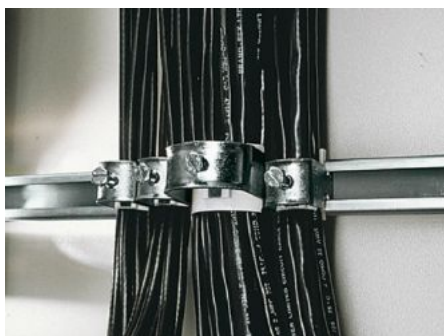
SOFTWARE & SERVICES

FRIEDHELM LOH GROUP



# DK 7097.000 - Cable clip for C rail, combination rail

For attaching cables to the C rail.



## Features

Model No.	DK 7097.000
Design	for cable diameter 18 – 22 mm
Product description	For attaching cables to the C rail.
Material	Sheet steel
Surface finish	Zinc-plated
Supply includes	Plastic insert
Min. cable diameter	18 mm
Max. cable diameter	22 mm
Packs of	25 pc(s).
Net weight	0,975 kg
Gross weight	1 kg
PCF per pack (cradle-to-gate)	3.9 kg CO2 eq (Cat B)
Note on PCF category	Category B: PCF value (cradle-to-gate) based on the product weight, approximately calculated and self-declared
Customs tariff number	73182900
ETIM 9	EC000454
ETIM 8	EC000127
ECLASS 8.0	23140202

# Features

---

Product description

DK Cable clamps, for cable diameter: Ø: 18 - 22 mm

## Tender text

Cable clamps 18 - 22 mm

For attaching cables to C rails. For cable diameter 18-22 mm.

Material: sheet steel, zinc-plated, passivated, with plastic insert.