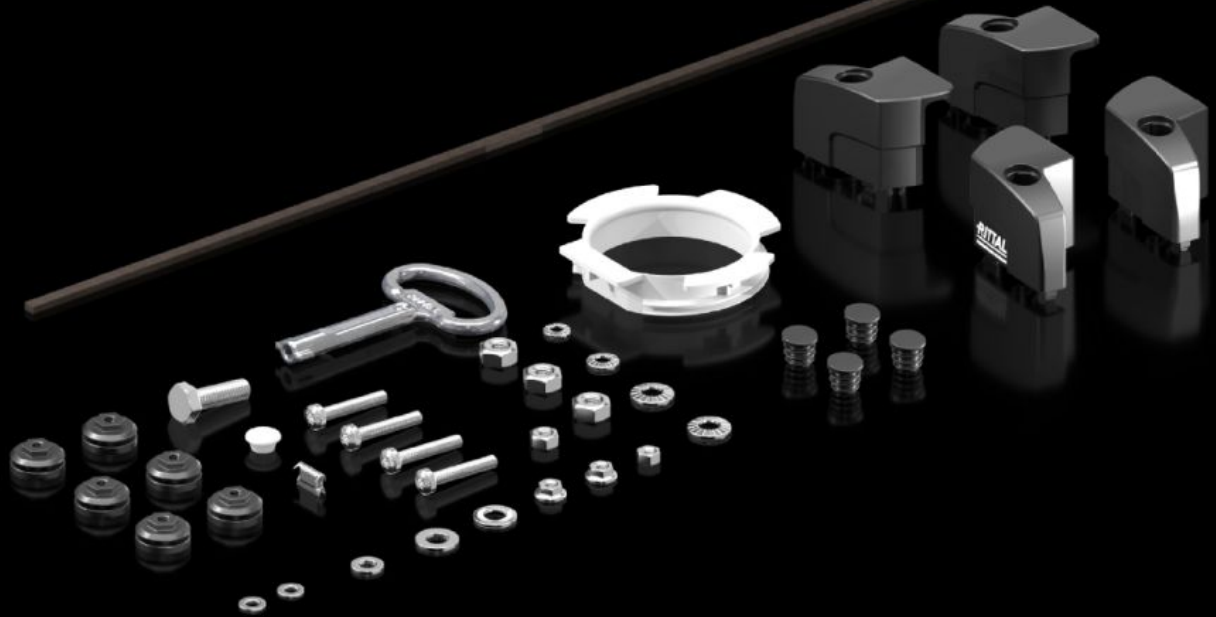


Rittal – The System.

Faster – better – everywhere.



AX 5050.706 Accessory bag

State: 23/05/2026 (Source: rittal.com/sg-en)

ENCLOSURES

POWER DISTRIBUTION

CLIMATE CONTROL

IT INFRASTRUCTURE

SOFTWARE & SERVICES

FRIEDHELM LOH GROUP



AX 5050.706 - Accessory bag

Features

| | |
|-----------------------|-------------|
| Model No. | AX 5050.706 |
| Packs of | 1 pc(s). |
| Net weight | 0.23 kg |
| Gross weight | 0.24 kg |
| Customs tariff number | 83024900 |
