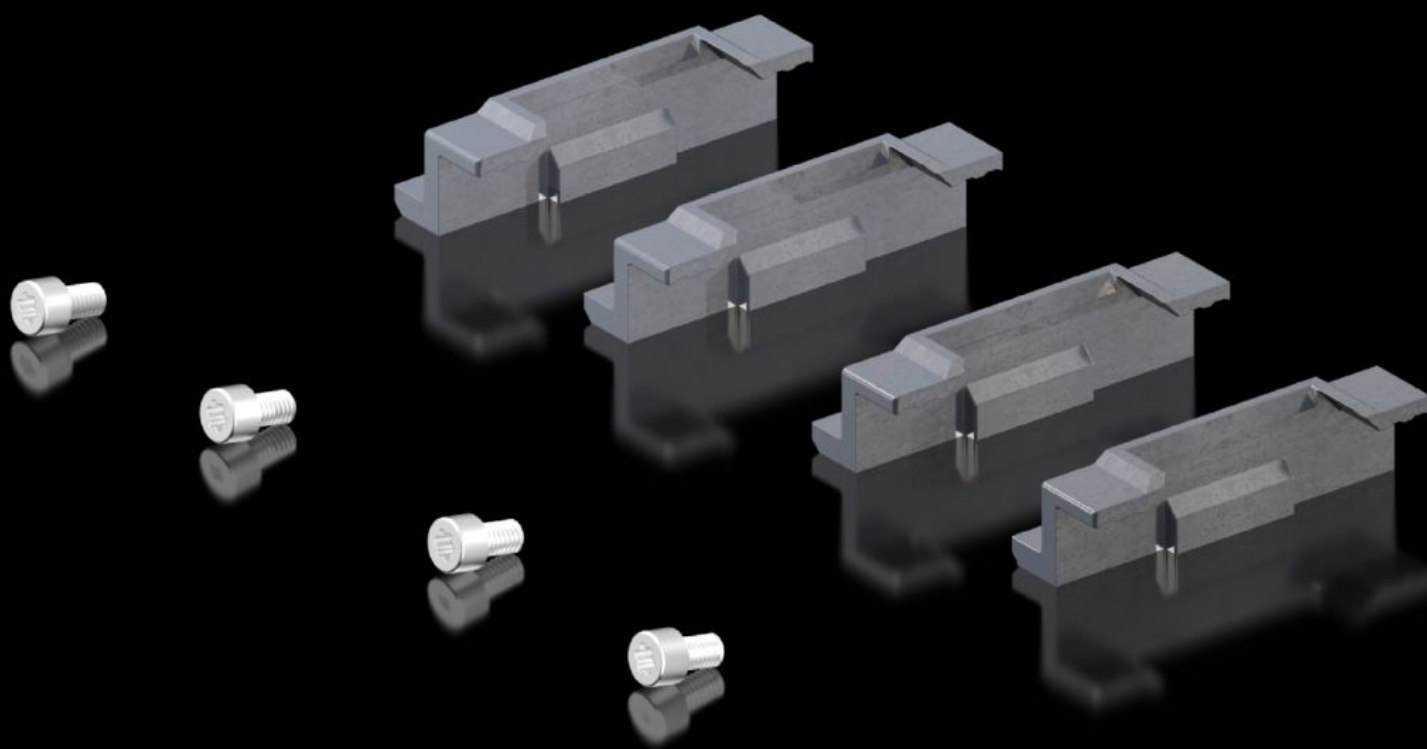


# Rittal – The System.

Faster – better – everywhere.



## TS 5050.412 Ključavnice

State: 22.5.2026 (Source: [rittal.com/si-sl](http://rittal.com/si-sl))

ENCLOSURES

POWER DISTRIBUTION

CLIMATE CONTROL

IT INFRASTRUCTURE

SOFTWARE & SERVICES

FRIEDHELM LOH GROUP



# TS 5050.412 - Ključavnice za dvokrilna vrata TS

## Features

Št. Modela	TS 5050.412
Obseg dobave	Ključavnice Sestavni deli
Paketi	1 pc(s).
Neto teža	0,26 kg
Bruto teža	0,262 kg
Carinska tarifna številka	83016000
ETIM 9	EC002626
ETIM 8	EC002626
ECLASS 8.0	27189266