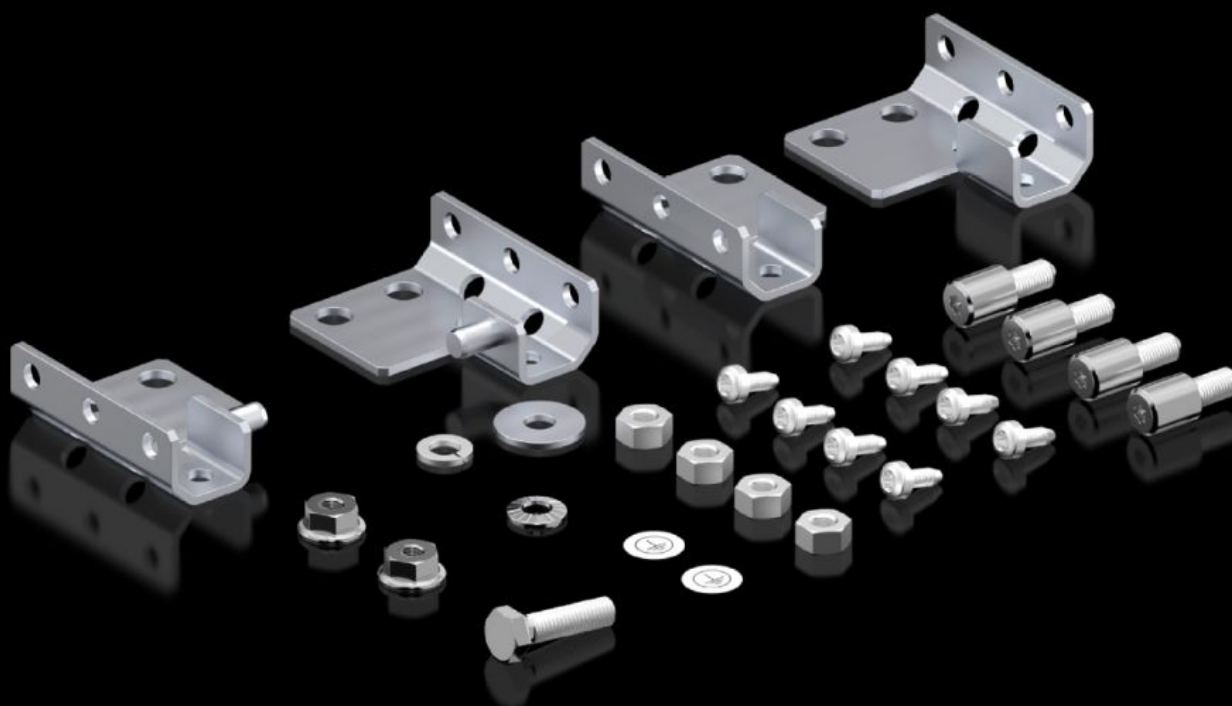
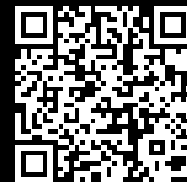


Rittal – The System.

Faster – better – everywhere.



TS 5050.511

Torba za pribor - delna montažna plošča

State: 22.5.2026 (Source: rittal.com/si-sl)

ENCLOSURES

POWER DISTRIBUTION

CLIMATE CONTROL

IT INFRASTRUCTURE

SOFTWARE & SERVICES

FRIEDHELM LOH GROUP



TS 5050.511 - Torba za pribor - delna montažna plošča



Features

Št. Modela	TS 5050.511
Paketi	1 pc(s).
Neto teža	0,46 kg
Bruto teža	0,462 kg
Carinska tarifna številka	83024900
ETIM 9	EC002625
ECLASS 8.0	27189234