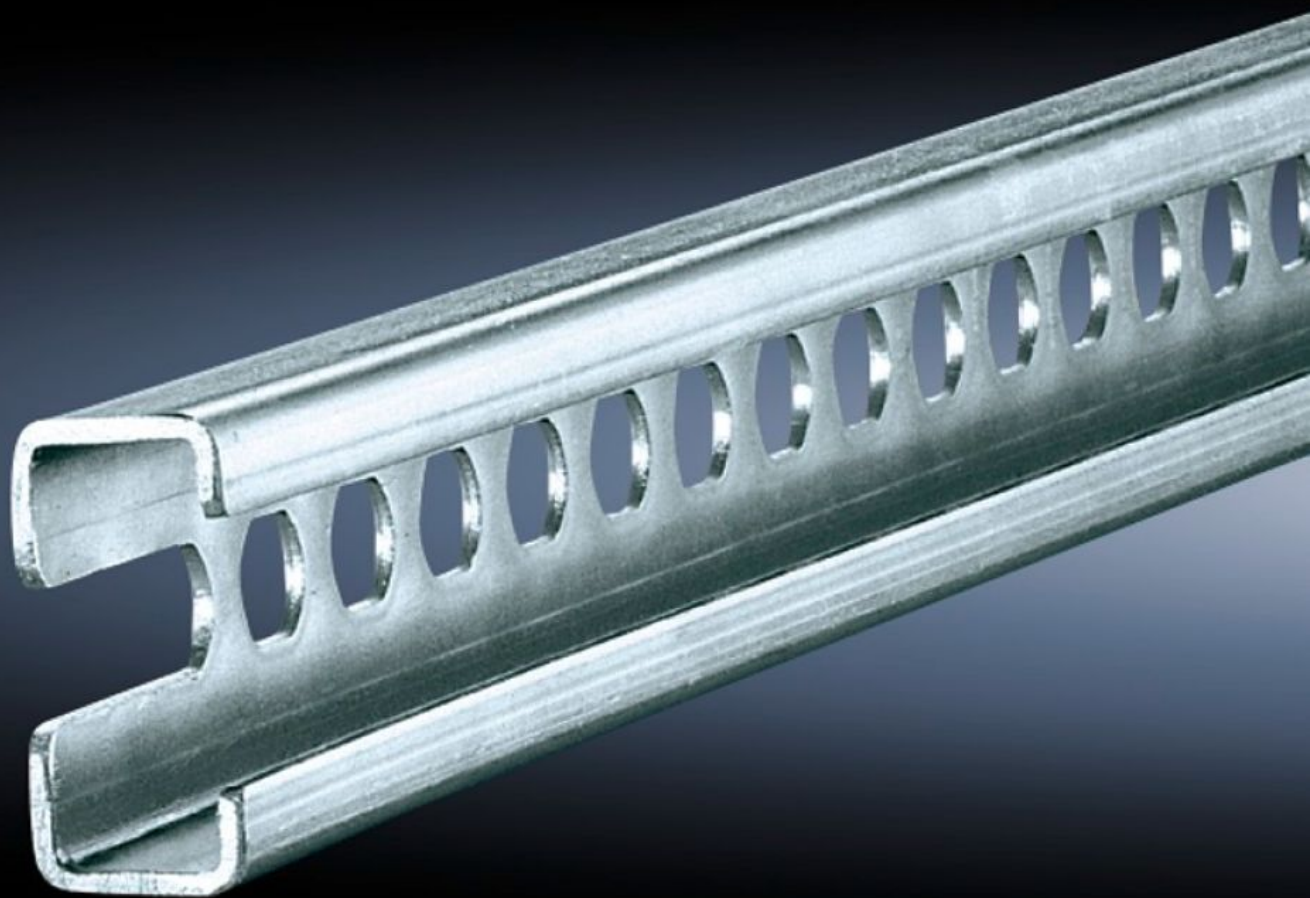


Rittal – The System.

Faster – better – everywhere.



SZ 4945.000

C rails 30/15

State: 06.09.2025 (Source: rittal.com/ua-en)

ENCLOSURES

POWER DISTRIBUTION

CLIMATE CONTROL

IT INFRASTRUCTURE

SOFTWARE & SERVICES

FRIEDHELM LOH GROUP



SZ 4945.000 - C rails 30/15 to EN 60 715 for VX, TS, VX SE

For direct external mounting on the horizontal enclosure section or vertical enclosure section with additional assembly components.



Features

| | |
|-------------------------------------|---|
| Model No. | SZ 4945.000 |
| Material | Sheet steel |
| Surface finish | Zinc-plated |
| Length | 755 mm |
| Installation options | <p>On the inner mounting level of the VX enclosure section</p> <p>On the vertical TS, VX SE enclosure section via snap-on nuts TS 8800.808 or adaptor rails for VX compatibility</p> <p>On the horizontal VX SE enclosure section in the width, top and bottom</p> <p>On the horizontal VX SE enclosure section in the depth at the bottom (without mounting plate) and at the top via snap-on nuts 8800.808.</p> <p>On the horizontal TS enclosure section</p> <p>In the width or depth of the 3-part AX. Depending on the installation situation, the bar will need to be shortened to the required size.</p> |
| VX base/plinth installation options | In base/plinth width 800 mm on the base/plinth trim panels, in conjunction with holder/spacer |
| AX base/plinth installation options | In base/plinth width 800 mm, in conjunction with metal multi-tooth screws |

Features

| | |
|-------------------------------|--|
| To fit | Enclosure type: VX TS AX wall-mounted enclosure, 3-part To fit width/depth: 800 mm |
| To fit | Base/plinth system AX Base/plinth system VX |
| Packs of | 6 pc(s). |
| Net weight | 3 |
| Gross weight | 3.21 |
| PCF per pack (cradle-to-gate) | 12.6 kg CO2 eq (Cat B) |
| Note on PCF category | Category B: PCF value (cradle-to-gate) based on the product weight, approximately calculated and self-declared |
| Customs tariff number | 73269098 |
| EAN | 4028177114616 |
| ETIM 9 | EC000386 |
| ETIM 8 | EC000386 |
| ECLASS 8.0 | 27400602 |