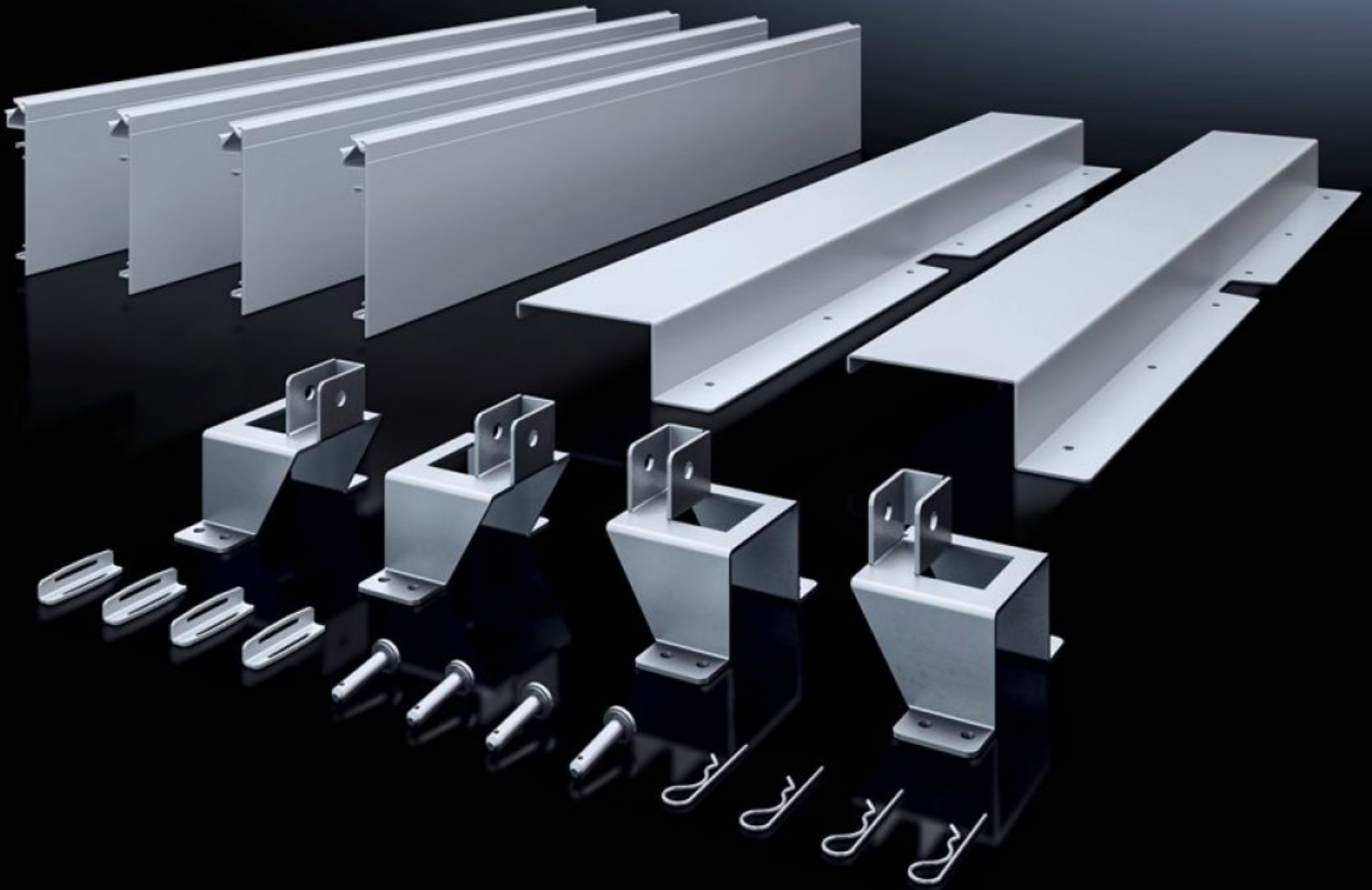


Rittal – The System.

Faster – better – everywhere.



SV 9666.932 ISV installation kit

State: 12.05.2026 (Source: rittal.com/ua-en)

ENCLOSURES

POWER DISTRIBUTION

CLIMATE CONTROL

IT INFRASTRUCTURE

SOFTWARE & SERVICES

FRIEDHELM LOH GROUP



SV 9666.932 - ISV installation kit for VX

For mounting ISV installation modules in VX enclosures.



Features

Model No.	SV 9666.932
Product description	For mounting ISV installation modules in the enclosure.
Material	Mounting frame holder: Sheet steel, zinc-plated Contact hazard protection: Sheet steel, spray-finished Contact hazard protection, sides: PVC
Supply includes	Mounting aid support Contact hazard protection Assembly parts
Size	Width units (WU) @ 250 mm: 2 Height units (U) @ 150 mm: 11
To fit Model No.	8457.000 8684.000 8685.000 8686.000
To fit	Enclosure type: VX Width: 600 mm Height: 1,800 mm Depth: 400 mm 500 mm 600 mm
Packs of	1 pc(s).
Net weight	6.6 kg

Features

Gross weight	7 kg
Customs tariff number	83024900
ETIM 9	EC002270
ECLASS 8.0	27400613
Product description	ISV installation kit for VX, 2 WU (500 mm), 11 U (1650 mm), WxH: 600x1800 mm

Approvals

Explanations	Declaration of conformity UK
--------------	------------------------------