

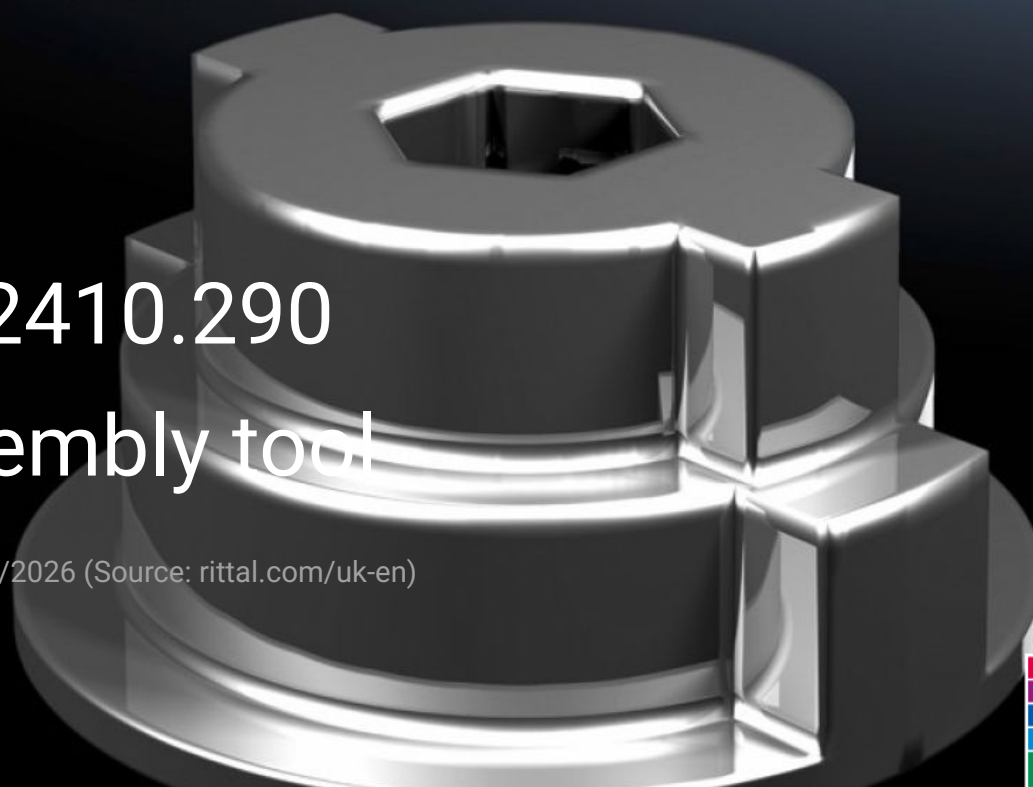
Rittal – The System.

Faster – better – everywhere.



HD 2410.290 Assembly tool

State: 18/04/2026 (Source: rittal.com/uk-en)



ENCLOSURES

POWER DISTRIBUTION

CLIMATE CONTROL

IT INFRASTRUCTURE

SOFTWARE & SERVICES



FRIEDHELM LOH GROUP

HD 2410.290 - Assembly tool for HD cable glands

For attaching HD cable glands in an internal thread or using lock nuts. This can be achieved either from the inside or from the outside using an Allen key.

Features

| | |
|-----------------------|---|
| Model No. | HD 2410.290 |
| Product description | For attaching HD cable glands in an internal thread or using lock nuts. This can be achieved either from the inside or from the outside using an Allen key. |
| Supply includes | Adaptor for M12 – M25 sizes |
| Packs of | 1 pc(s). |
| Net weight | 0.03 kg |
| Gross weight | 0.032 kg |
| Customs tariff number | 73181900 |
| ETIM 9 | EC000441 |
| ETIM 8 | EC000441 |
| ECLASS 8.0 | 27149109 |
| Product description | HD Assembly tool, for HD cablegland |